



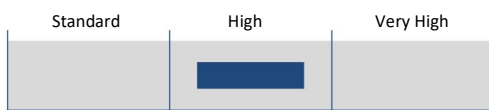
### High Performance Single Phase EMI Powerline Filter

- High differential & common mode attenuation performance and superior noise suppression. Two-Stage
- Rated currents from 1 to 30 Amps
- Optional medical versions available (Type B)
- Optional safety versions available (Type A)

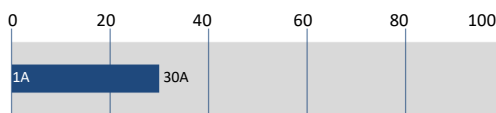


#### Performance Indicators

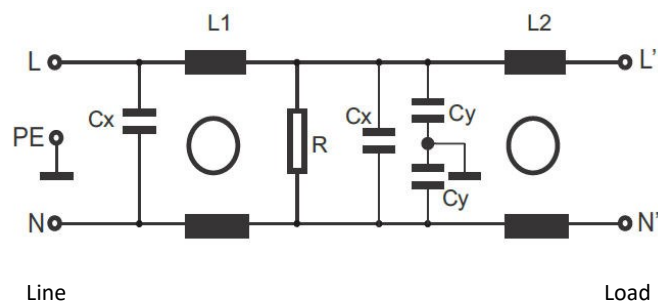
##### Attenuation Performance



##### Rated Current (Amps)



#### Electrical Diagram



#### Features and Benefits

- BL2060 filters are designed for easy and fast chassis mounting
- BL2060 filters are also available as B versions without Y-capacitors for medical applications as well as A version with low capacitance for safety critical applications with necessity for low leakage currents
- All filters provide a general purpose conducted attenuation performance, based on chokes with high saturation resistance and excellent thermal behaviour
- BL2060 filters can be used to cover a broad range of usage and they offer a good size/amperage ratio
- Various terminal options allow you to select the desired connection style

#### Technical Specification

Operating voltage	250 VAC, 50/60 Hz
Operating frequency	dc to 400 Hz
Rated currents	1 to 30 A @ 40 °C max
High potential test voltage	L → PE 3000 VDC for 2 sec (Standard Types) L → N 1100 VDC for 2 sec L → PE 3500 VDC for 2 sec (B types)
Temperature range (operation and storage)	-25 °C to +100 °C (25/100/21)
Design corresponding to	UL 1283, CSA 22.2 No. 8 1986, IEC/EN 60939

#### Typical Applications

- Electrical and electronic equipment
- Consumer goods
- Household equipment
- Medical equipment
- Office automation equipment
- Datacom equipment

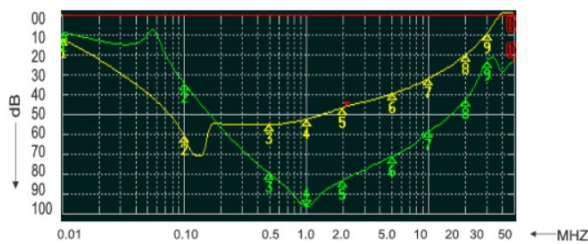
Filter Selection Table

Filter Model (where X = connection)	Rated Current @40 °C (Amps)	Leakage Current @230Vac/50Hz (mA)	Inductance L (mH)	Capacitance		Resistance R (kΩ)	Input/Output Connections		
				Cx (μF)	Cy (nF)				
BL2060-01-X	1	0.74	24	0.44	9.4	1000	F	W	
BL2060-03-X	3	0.74	5	0.44	9.4	1000	F	W	
BL2060-06-X	6	0.74	1.96	0.44	9.4	1000	F	W	
BL2060-10-X	10	0.74	1.6	0.94	9.4	470	F	W	
BL2060-12-X	12	0.74	1.16	0.94	9.4	470	F	W	
BL2060-16-X	16	0.74	1.3	0.66	9.4	1000	F	W	S
BL2060-20-X	20	0.74	1.2	2.0	9.4	220	F	W	S
BL2060-30-X	30	0.87	1.2	2.0	20	220			S
<b>Safety Version (A)</b>									
BL2060A-01-X	1	0.074	24	0.44	0.94	1000	F	W	
BL2060A-03-X	3	0.074	5	0.44	0.94	1000	F	W	
BL2060A-06-X	6	0.074	1.94	0.44	0.94	1000	F	W	
BL2060A-10-X	10	0.074	1.6	0.94	0.94	470	F	W	
BL2060A-12-X	12	0.074	1.16	0.94	0.94	470	F	W	
BL2060A-16-X	16	0.074	1.3	0.66	0.94	1000	F	W	S
BL2060A-20-X	20	0.074	1.2	2.0	0.94	220	F	W	S
BL2060A-30-X	30	0.074	1.2	2.0	0.94	220			S
<b>Medical Version (B)</b>									
BL2060B-01-X	1	0.002	24	0.44		1000	F	W	
BL2060B-03-X	3	0.002	5	0.44		1000	F	W	
BL2060B-06-X	6	0.002	1.94	0.44		1000	F	W	
BL2060B-10-X	10	0.002	1.6	0.94		470	F	W	
BL2060B-12-X	12	0.002	1.16	0.94		470	F	W	
BL2060B-16-X	16	0.002	1.3	0.66		1000	F	W	S
BL2060B-20-X	20	0.002	1.2	2.0		220	F	W	S
BL2060B-30-X	30	0.002	1.2	2.0		220			S

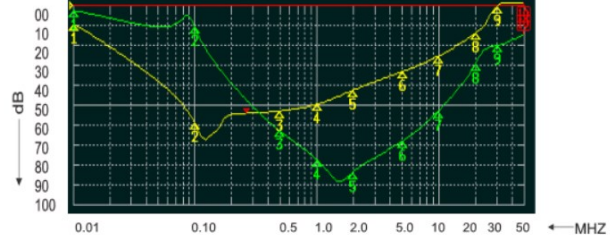
Typical Filter Attenuation

Insertion Loss: Common mode - —  
 Differential mode - —

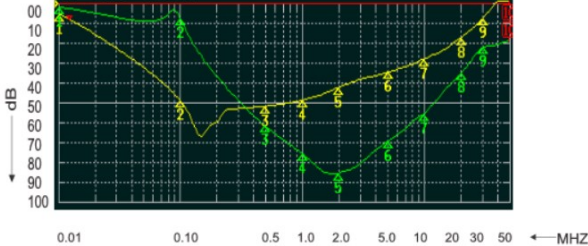
1 to 3 A



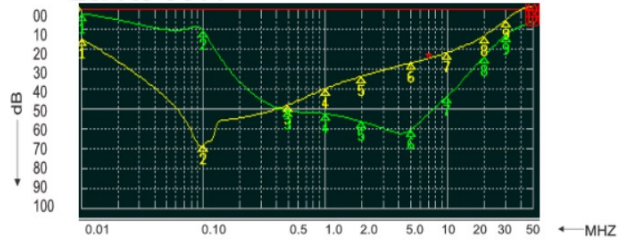
6A & 10A



12 to 16 A

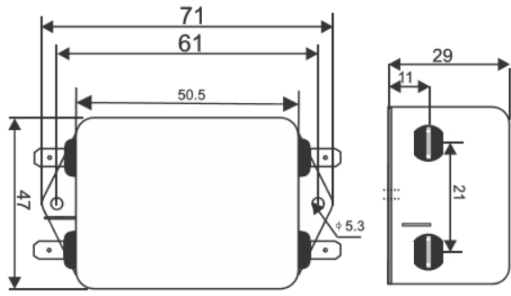


20A to 30 A

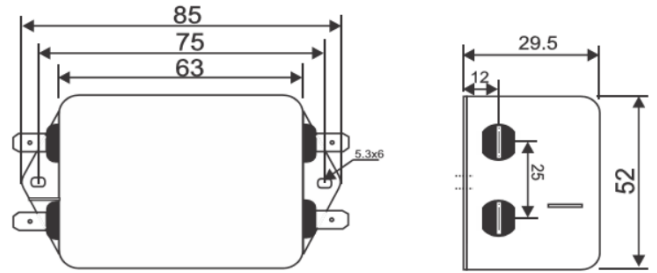


Mechanical Dimensions (mm)

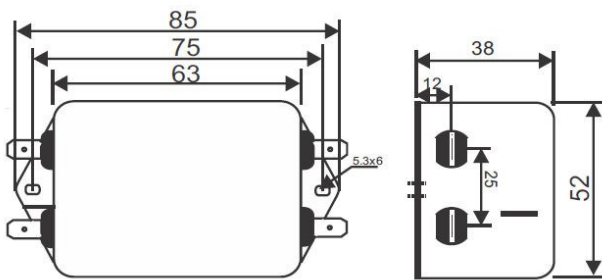
Connection Type F, 1A to 6A



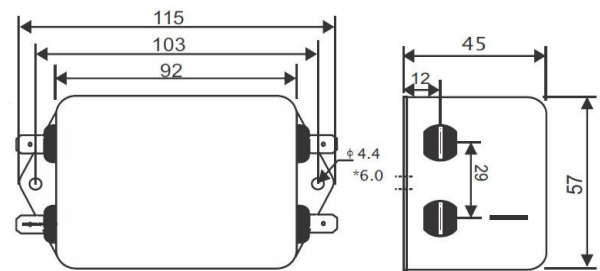
Connection Type F, 10A & 12A



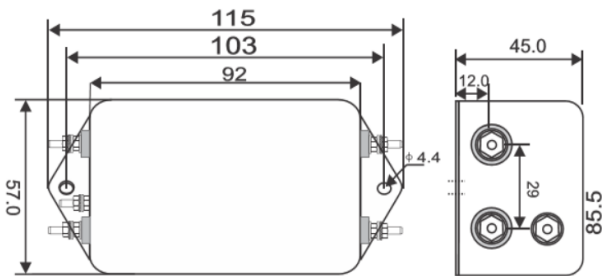
Connection Type F, 16A



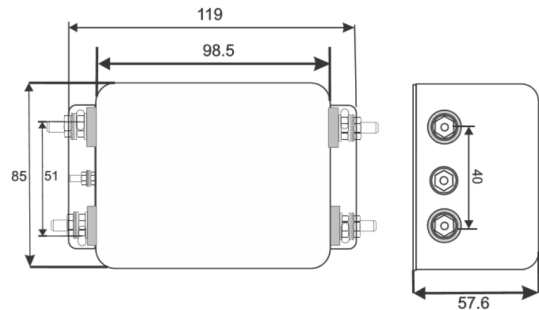
Connection Type F, 20A



Connection Type S, 20A



Connection Type S, 30A



**Note:** All dimensions in mm

Connection type F = Fast on Terminals (6.3 x 0.8)

Connection type S = Screw (M4)