

00028



CD Automation UK Ltd

Product Support:

Tel: +44 1323 811100 Email: [info@cdautomation.co.uk](mailto:info@cdautomation.co.uk)



<b>1 Important warnings for safety</b> .....	<b>6</b>
<b>2 Note</b> .....	<b>7</b>
<b>3 Introduction</b> .....	<b>8</b>
<b>4 Advantages compared with analog thyristor unit</b> .....	<b>8</b>
<b>5 Software Configurator CDA Thyristor configurator software</b> .....	<b>9</b>
<b>6 Quick Start</b> .....	<b>10</b>
<b>7 Basic Connections and sizing</b> .....	<b>11</b>
<b>8 Identification and Order Code</b> .....	<b>12</b>
8.1 Identification of the unit .....	12
8.2 Order Code .....	13
<b>9 Technical Specifications</b> .....	<b>14</b>
9.1 General features: .....	14
9.2 Input features: .....	14
9.3 Output features(power device): .....	14
9.4 Fan Specification (only from 120 to 210A) .....	14
<b>10 Installation</b> .....	<b>15</b>
10.1 Environmental installation conditions .....	15
10.2 Derating Curve .....	15
10.3 Dimensions and Weight .....	16
10.4 Fixing holes .....	16
<b>11 Wiring instructions</b> .....	<b>17</b>
11.1 Power cable torque (suggested) .....	17
11.2 Cable dimensions of the Command Terminals .....	17
11.3 Cable dimensions of the Earth (suggested) .....	17
11.4 Terminals positions .....	17
11.5 Power Terminals .....	18
11.6 Command Terminals .....	18
11.6.1 TERMINAL BLOCK M1 .....	18
11.6.2 TERMINAL BLOCK M2 .....	18
11.6.3 TERMINAL BLOCK M3 (ONLY FROM 120 TO 210A) .....	18
11.7 Schematic .....	19
11.8 Connection Diagram for 3 phases (control on 2 phases) .....	20
<b>12 Control Panel</b> .....	<b>21</b>
12.1 Scroll the parameters .....	22
12.2 Operator Menu <i>OPER</i> .....	23
12.3 Setup Menu <i>SET</i> .....	26
12.4 Hardware Menu <i>HARD</i> .....	29
12.5 Control Panel Led .....	31
12.6 Displayed Alarms .....	31
<b>13 Input output signal</b> .....	<b>32</b>
13.1 Digital Input .....	32
13.1.1 START/STOP (TERMINAL 3 OF M1) .....	32

13.1.2 CONFIGURABLE INPUT (TERMINAL 4 OF M1).....	32
13.2 Digital Output (terminal 9-10 of M1)	32
13.3 Analog Inputs	33
13.3.1 PRIMARY INPUT (TERMINALS 5 AND 6 OF M1).....	33
13.3.2 PRIMARY INPUT CALIBRATION PROCEDURE.....	33
<b>14 Heater Break alarm and SCR short circuit (HB Option).....</b>	<b>34</b>
14.1 Heater break Calibration procedure	34
14.2 HB alarm contact (digital output)	34
14.3 Relay Jumper configuration on JP3	34
<b>15 Firing type.....</b>	<b>35</b>
15.1 Zero Crossing (ZC - $\overline{ZC}$ )	35
15.2 Burst Firing (BF - $\overline{BF}$ )	35
<b>16 Feed-back type.....</b>	<b>36</b>
<b>17 RS485 Serial Port.....</b>	<b>37</b>
<b>18 PG Connector.....</b>	<b>37</b>
<b>19 Internal Fuse.....</b>	<b>38</b>
19.1 Fuses Replacement	39
<b>20 Maintenance.....</b>	<b>40</b>
20.1 Trouble Shooting	40
20.2 Warranty condition	40

**CD Automation s.r.l.****Controllers, Drives & Automation**

Via Picasso, 34/36 - 20025 Legnano (MI)- Italia

P.I. 08925720156 -Tel. (0331) 577479 - Fax (0331) 579479

Internet : [www.cdautomation.com](http://www.cdautomation.com) - E-MAIL: [info@cdautomation.com](mailto:info@cdautomation.com)

## Dichiarazione di Conformità **CE** **CE** Declaration of Conformity

PRODUTTORE:  
 PRODUCT MANUFACTURER: CD Automation S.R.L.

INDIRIZZO:  
 ADDRESS: Via Pablo Picasso 34//36  
 20025 Legnano (Mi)  
 Italia

**Dichiara che il prodotto:**  
**Declare that the product:**

### **RevoM, 2ph da 60 a 210A**

**SODDISFA I REQUISITI DELLA NORMA :**

Specifica di sicurezza EN60947-1 :2008  
 EN60947-4-3:2001  
 Specifica sulle emissioni EN60947-4-3:2000  
 Specifica sulle Immunità EN60947-4-3:2000

**FULFILS THE REQUIREMENTS OF THE STANDARD:**

Electrical safety Standard EN60947-1 :2008  
 EN60947-4-3:2001  
 Generic Emission standard EN60947-4-3:2000  
 Generic Immunity standard EN60947-4-3:2000

CDAutomation dichiara che I prodotti sopra menzionati sono conformi alla direttiva  
 CDAutomation declares that The products above mentioned they am conforming to the directive  
**EMC 2004/108/CEE** e alla direttiva Bassa Tensione (low Voltage) **2006/95/CEE**

DESCIZIONE DEL PRODOTTO: Unità di controllo potenza elettrica  
 PRODUCT DESCRIPTION: Electric power controll

UTILIZZO: Controllo processi termici  
 SCOPE OF APPLICATION: Thermal controll process

Data di emissione: 20/04/2010  
 Issued on: 20/04/2010

Amministratore Unico e  
 Legale Rappresentante  
**Claudio Brizzi**

## 1 Important warnings for safety

This chapter contains important information for the safety. The not observance of these instructions may result in serious personal injury or death and can cause serious damages to the Thyristor unit and to the components system included.

The installation should be performed by qualified persons.



The Thyristor unit are integral part of industrial equipments. When it is supply, the Thyristor unit is subject to dangerous tensions.

- Don't remove the protection Cover.
- Don't use these unit in aerospace applications and/ or nuclear.



The nominal current corresponds to use at temperature not superior to 45°C.

- The Thyristor unit must be mounted in vertical position and without obstruction above and below to allow a good flow ventilation.
- The hot air of one thyristor unit must not invest the unit positioned above.
- For side by side placed leave a space of 15mm between the unit.



A suitable device must ensure that the unit can be electrically isolated from the supply, this allows the qualified people to work in safety.



### **Protection (Protection, Protezione)**

The unit have IP20 protection rating as defined by the specific international. Is necessary consider the place of installation.



### **Earth (Terre, Messa a terra)**

For safety, the Thyristor unit with isolated heat-sink must be connected to earth. Earth impedance should be correspondent to local earth regulation. Periodically the earth efficiency should be inspected.



### **Electronic supply (Alimentation électronique, Alimentazione elettronica)**

The electronic circuit of the Thyristor unit must be supplied by dedicated voltage for all electronic circuits and not in parallel with coil contactors, solenoids and other.

It's recommended to use a shielded transformer.



### **Electric Shock Hazard (Risque de choc électrique, Rischi di scosse elettriche)**

When the Thyristor unit is energized, after the power supply is shut off, wait least a minute for allow the discharge of the internal capacitors where there is a dangerous tension. Before working, make sure that:

- Only authorized personnel must perform maintenance, inspection, and replacement operations.
- The authorized personnel must read this manual before to have access to the unit.
- Unqualified People don't perform jobs on the same unit or in the immediate vicinities.

**Important warnings (Attention, Avvertenze importanti)**

During the operations with units under tension, local regulations regarding electrical installation should be rigidly observed:

- Respect the internal safety rules.
- Don't bend components to maintain insulation distances.
- Protect the units from high temperature humidity and vibrations.
- Don't touch components to prevent electrostatic discharges on them.
- Verify that the size is in line with real needs.
- To measure voltage current etc. on unit, remove rings and other jewels from fingers and hands.
- Authorized personnel that work on thyristor unit under power supply voltage must be on insulated board

This listing does not represent a complete enumeration of all necessary safety cautions.

**Electromagnetic compatibility****(Compatibilità elettromagnetica, Compatibilità elettromagnetica)**

Our thyristor units have an excellent immunity to electromagnetic interferences if all suggestions contained in this manual are respected. In respect to a good Engineering practice, all inductive loads like solenoids contactor coils should have a filter in parallel.

**Emissions (Emission, Emissioni)**

All solid-state power controllers emit a certain amount of radio-frequency energy because of the fast switching of the power devices.

The CD Automation's Thyristor unit are in accord with the EMC norms, CE mark.

In most installations, near by electronic systems will experience no difficulty with interference. If very sensitive electronic measuring equipment or low-frequency radio receivers are to be used near the unit, some special precautions may be required. These may include the installation of a line supply filter and the use of screened (shielded) output cable to the load.

## 2 Note



**Warning:** This icon is present in all the operational procedures where the Improper operation may result in serious personal injury or death



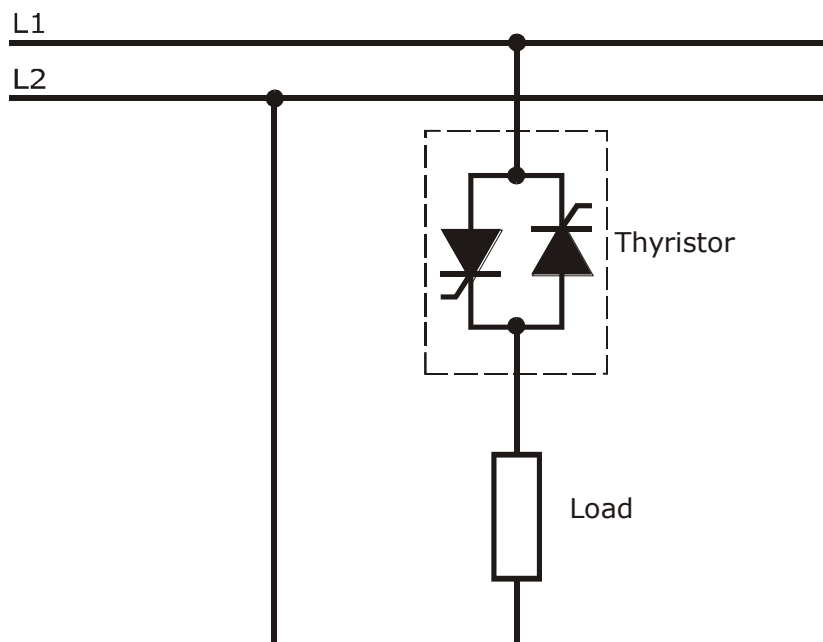
**Caution:** This icon is present in all the operational procedures where the Improper operation can cause damage for the Thyristor unit.

CD Automation reserves the right to modify the own products and this manual without any advise.



### 3 Introduction

A thyristor unit is semiconductor device which acts as a switch formed by two thyristors in antiparallel. To switch on the alternating current the input signal will be on and the thyristor will switch off at first Zero Crossing voltage with no input signal. The benefits of thyristor units compared with electromechanical contactors are numerous: no moving parts, no maintenance and capacity to switch very fast. Thyristors are the only solution to control transformers and special loads that change resistance with temperature and with age.



### 4 Advantages compared with analog thyristor unit

Communication RS485 is a standard feature of REVO M this allows the use of many information like: current, power, load state and all the parameters for diagnostic and configuration. Ulterior advantages of the digital system vs the analogical is the flexibility and the possibility of implement special characteristics without change the hardware. Several strategies can be implemented and selected through the configuration parameters.

With CDA software configuration, you can have access to the configuration parameters.





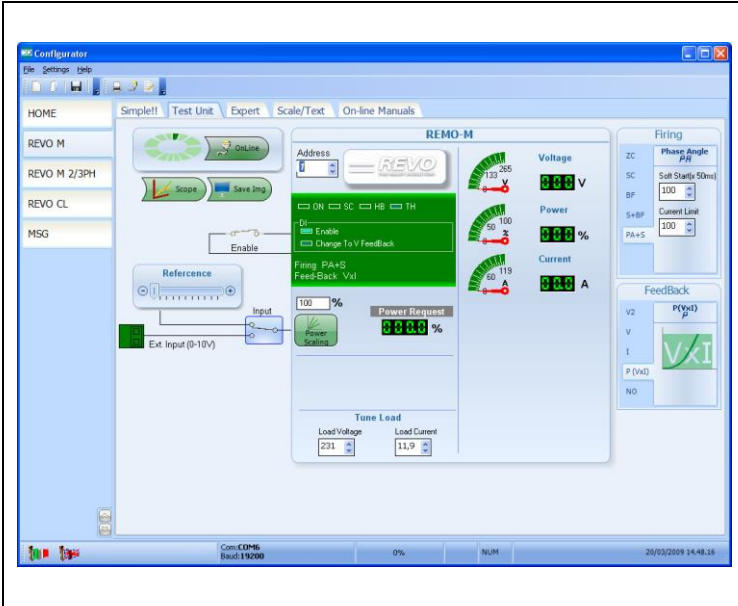
## 5 Software Configurator CDA Thyristor configurator software

CDA Thyristor configurator software is free and is possible download it from our site: [www.cdautomation.com](http://www.cdautomation.com)

If the Order Code is in line with requirement, then REVO M has been already configured in Factory and it's ready to use. You need the software only to modify the ordered configuration. Anyway we suggest to check the unit on the machine with the "Test unit" section.

For install the software, launch the program and follow the instructions on the screen.

Run the software configurator and set the serial port of the PC with con baudrate =19200(default) and the address of Thyristor unit (default=1).



To connect the unit at the PC, it's necessary use the USB\TTL converter connected between the unit and the USB port of the PC.

USB\TTL converter need a driver to work properly, you can find it at

[www.cdautomation.com](http://www.cdautomation.com)

Is available a full programmer kit composed by

- USB\TTL converter,
- Two cable
- CDA Thyristor configurator software
- USB driver



With the CD-RS serial converter is possible configure the Thyristor unit also through the RS485 For this solution, the programming cable is not necessary.



## 6 Quick Start



**Attention:** *this procedure must be carried out by skilled people only.*

If your REVO M code is in line with what you really need, then the main configuration is already done by CD Automation and you just need to do the following steps:

1. Verify REVO M's current sizing. Be sure that:
  - the load current is equal or less than the nominal one of REVO M
  - the main voltage is equal or less than the nominal voltage of REVO M
2. Verify the Installation
3. Verify the Wiring:
  - all auxiliary connections must be done in line with wirings on this manual
  - verify that there isn't a short circuit on the load
4. Supply the auxiliary voltage of the unit  
Set the parameters U\_OP (Operative Voltage) and A\_Lo (Nominal Current of the load) using the frontal keypad or CDA Thyristor configurator software.

	<b>U<sub>OP</sub></b>	<b>Operative Voltage</b>	<b>V</b>	<b>R/W</b>
Function:		It's necessary to specify the operative voltage		
Min/Max:		24 ÷ 1000V		
Default:		230		
Note:		With voltage up to 330V and over 600V, REVO M needs hardware modifications: specify this in phase of ordination.		
	<b>A<sub>Lo</sub></b>	<b>Load nominal current</b>	<b>A</b>	<b>R/W</b>
Function:		It's necessary to specify the load current value at nominal voltage. This current and voltage value are necessary to be able to read the power in engineering units		
Min/Max:		1 ÷ 100.0 Ampere (for size up to 100A)		
Default:		Nominal REVO M current value if load current has not been specified.		

**If your REVO M code is NOT in line with what you really need, use the enclosed configurator software tool to set-up the unit. Install the software on your PC, select REVO M and click on test unit changing what you need.**

## 7 Basic Connections and sizing

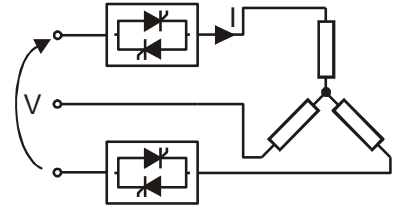
Star wiring with resistive load (control on two phases with REVO M-2PH)

$$I = \frac{P}{1,73V}$$

V = Nominal voltage of the load

I = Nominal current of the load

P = Nominal power of the load



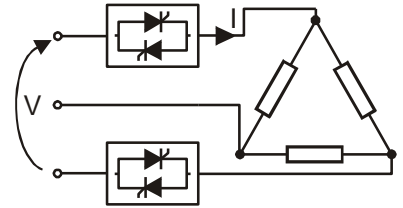
Delta wiring with resistive load (control on two phases with REVO M-2PH)

$$I = \frac{P}{1,73V}$$

V = Nominal voltage of the load

I = Nominal current of the load

P = Nominal power of the load



## 8 Identification and Order Code

### 8.1 Identification of the unit



**Caution:** Before to install, make sure that the Thyristor unit have not damages. If the product has a fault, please contact the dealer from which you purchased the product.

The identification's label give all the information regarding the factory settings of the Thyristor unit, this label is on the unit, like represented in figure.

Verify that the product is the same thing as ordered .



8.2 Order Code

Note 1

<b>1</b>	<b>2</b>	<b>3</b>	<b>4</b>	<b>5</b>	<b>6</b>	<b>7</b>	<b>8</b>	<b>9</b>	<b>10</b>	<b>11</b>	<b>12</b>	<b>13</b>	<b>14</b>	<b>15</b>	<b>16</b>
<b>R</b>	<b>M</b>	<b>2</b>				<b>-</b>									
<b>REVO M 2PH</b>															
<b>4,5,6</b>		<b>Current</b>													
Description code		Numeric code													
60A		0 6 0													
90A		0 9 0													
120A		1 2 0													
150A		1 5 0													
180A		1 8 0													
210A		2 1 0													
<b>7</b>		<b>Max Voltage</b>													
Description code		Numeric code													
480V		4													
600V		6													
<b>8</b>		<b>Aux. Voltage supply</b>													
Description code		Numeric code													
90:130V (2)		1													
170:265V (2)		2													
230:345V (2)		3													
300:530V (2)		5													
510:690V (2)		6													
<b>9</b>		<b>Input</b>													
Description code		Numeric code													
SSR		S													
0:10V dc		V													
4:20mA		A													
10kPot		K													
RS485		R													
<b>10</b>		<b>Firing</b>													
Description code		Numeric code													
Zero Crossing ZC		Z													
Burst Firing BF		B													
<b>11</b>		<b>Control Mode</b>													
Description code		Numeric code													
Open Loop		0													
Voltage Feed Back V		U													
Power Feed Back Vxl		W													
<b>12</b>		<b>Fuse &amp; Option</b>													
Description code		Numeric code													
Fixed Fuse		F													
Fixed Fuse + CT		Y													
Fixed Fuse +CT+HB		H													
<b>13</b>		<b>Fan Voltage</b>													
Description code		Numeric code													
Fan 110V		1													
Fan 220V		2													
Std Version		2													
<b>14</b>		<b>Approvals</b>													
Description code		Numeric code													
CE EMC For European Market		0													
cUL For American Market, Pending		L													
<b>15</b>		<b>Manual</b>													
Description code		Numeric code													
None		0													
Italian Manual		1													
English Manual		2													
German Manual		3													
French Manual		4													
<b>16</b>		<b>Version</b>													
Description code		Numeric code													
Std with fixed Fuses		1													

LEGEND  
 CT = Current Transformer  
 HB = Heater Break Alarm

Note (1): After 16th digit write current and voltage of load inside brackets Ex. (40A-400V)  
 Note (2): Load voltage must be included in Selected Auxiliary Voltage Range

## 9 Technical Specifications

### 9.1 General features:

Cover and Socket material:	PolymericV2
Utilization Category	AC-51 AC-55b
IP Code	20
Method of Connecting	Load in Delta, Load in Star
Auxiliary voltage: (10 VA Max)	90:130V (8 VA Max) 170:265V (8 VA Max) 230:345V (8 VA Max) 300:530V (8 VA Max) 510:690V (8 VA Max) 600:760V (8 VA Max)
Relay output for Heater Break Alarm (only with HB option):	0.5A a 125VAC

### 9.2 Input features:

Logic input SSR:	4 ÷ 30Vdc 5mA Max (ON ≥ 4Vdc OFF < 1Vdc)
Analogic input V:	0 ÷ 10Vdc impedance 15 K ohm
Analogic input A:	4 ÷ 20mA impedance 100 ohm
POT	10 K ohm min.
Digital Input	4 ÷ 24Vdc 5mA Max (ON ≥ 4Vdc OFF < 1Vdc)

### 9.3 Output features(power device):

Current	Nominal Voltage range (Ue)	Repetitive peak reverse voltage (Uimp)		Latching current	Max peak one cycle	Leakage current	FUSE I2T value Suggested A2s (at500V)	Frequency range	Power loss Thyristor + Fuse	Isolation Voltage (Ui) 1min
		(480V)	(600V)							
(A)	(V)			(mAeff)	(10msec.) (A)	(mAeff)	tp=10mse c	(Hz)	I=Inom (W)	(A)
60	24÷600	1200	1600	600	1900	15	10780	47÷70	205	3000
90	24÷600	1200	1600	600	1900	15	10780	47÷70	290	3000
120	24÷600	1200	1600	600	1900	15	14280	47÷70	398	3000
150	24÷600	1200	1600	300	5000	15	17500	47÷70	409	3000
180	24÷600	1200	1600	300	5000	15	30800	47÷70	486	3000
210	24÷600	1200	1600	300	5000	15	53900	47÷70	598	3000

### 9.4 Fan Specification (only from 120 to 210A)

Supply: 230V Standard	Power 32W (16W for 2 Fan)
Supply: 115V Option	Power 28W (14W for 2 Fan)

## 10 Installation

Before to install, make sure that the Thyristor unit have not damages.

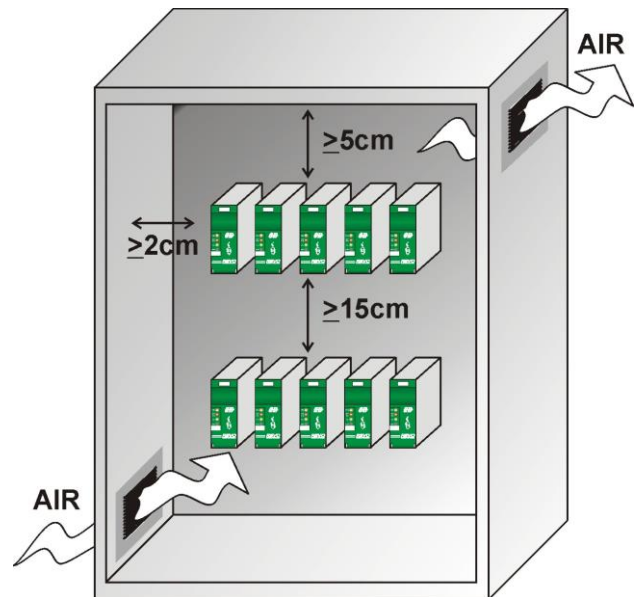
If the product has a fault, please contact the dealer from which you purchased the product. Verify that the product is the same thing as ordered.

The Thyristor unit must be always mounted in vertical position to improve air cooling on heat-sink.

Maintain the minimum distances in vertical and in horizontal as represented.

When more unit has mounted inside the cabinet maintain the air circulation like represented in figure.

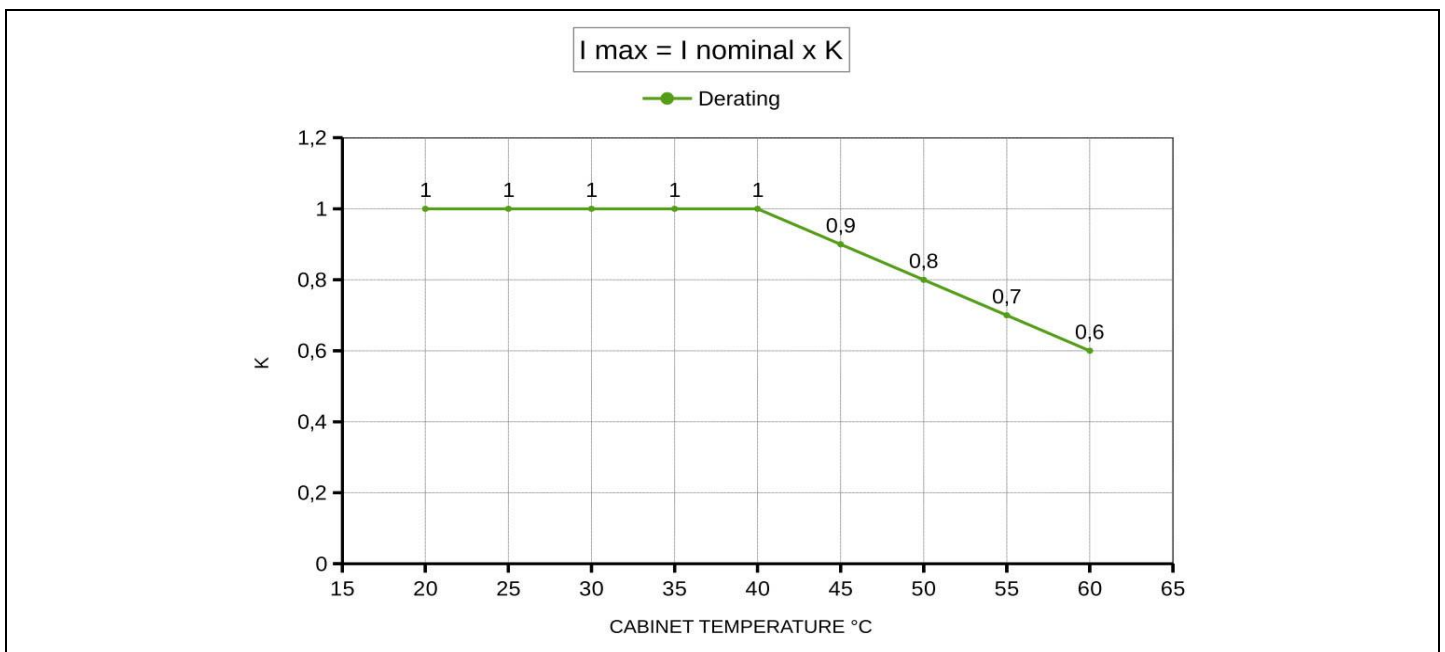
Sometimes is necessary installing a fan to have better air circulation.



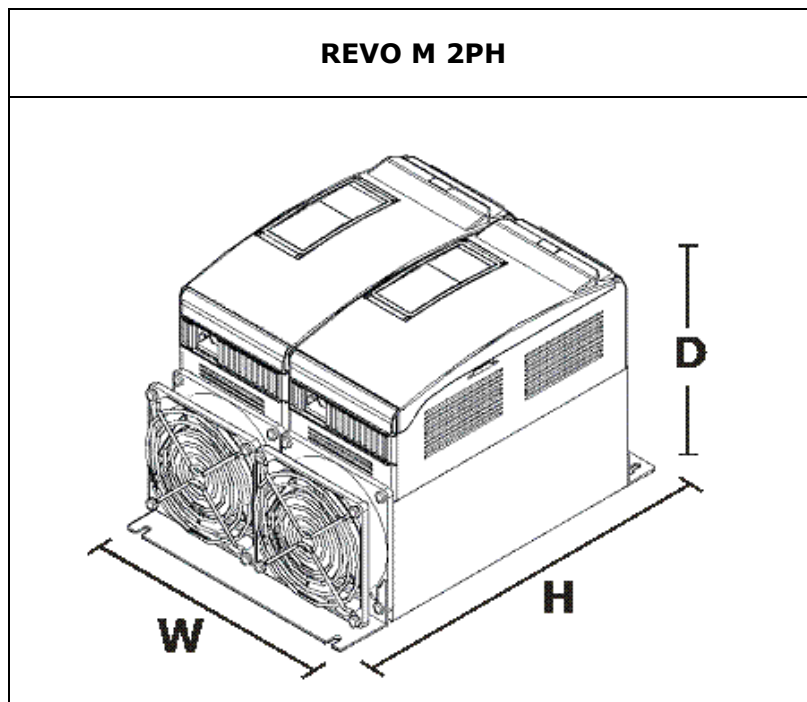
### 10.1 Environmental installation conditions

Ambient temperature	0-40°C at nominal current. Over 40°C use the derating curve.
Storage temperature	-25°C a 70°C
Installation place	Don't install at direct sun light, where there are conductive dust, corrosive gas, vibration or water and also in salty environmental.
Altitude	Up to 1000 meter over sea level. For higher altitude reduce the nominal current of 2% for each 100m over 1000m
Humidity	From 5 to 95% without condense and ice
Pollution Level	Up to 2nd Level ref. IEC 60947-1 6.1.3.2

### 10.2 Derating Curve



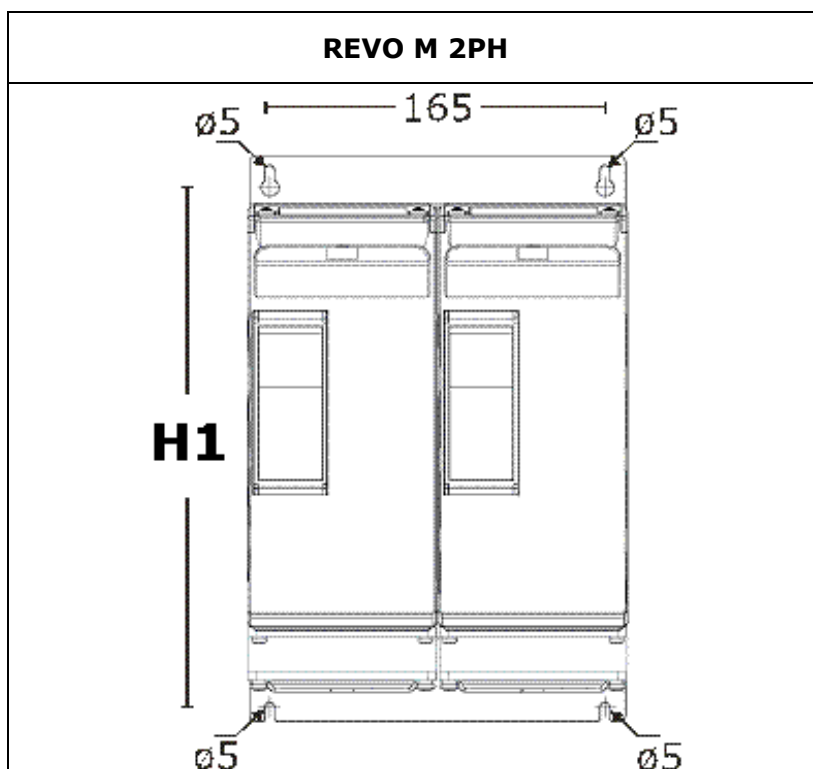
### 10.3 Dimensions and Weight



Size	W(mm)	D(mm)	H(mm)	Weight (kg)
2PH (60-90A no Fan)	186	170	269	6,8
2PH (120-210A with Fan)	186	170	273	7

### 10.4 Fixing holes

	2PH (60-90A no Fan)	2PH (120-210A with Fan)
<b>H1</b>	256	260





## 11 Wiring instructions

The Thyristor unit could be susceptible to interferences lost by near equipments or by the power supply, for this reason in accord to the fundamental practices rules is opportune take some precautions:

- The coil contactor, the relays and other inductive loads must be equipped with opportune RC filter.
- Use shielded bipolar cables for all the input and output signals.
- The signal cables must not be near and parallel to the power cables.
- Local regulations regarding electrical installation should be rigidly observed.

Use copper cables and wires rated for use at 75°C only.

### 11.1 Power cable torque (suggested)

Type	Connector Type	Torque Lb-in (N-m)	Wire Range mm <sup>2</sup> (AWG )	MAX Current Terminals	Wire Terminals UL Listed (ZMVV)
060 090 120	Screw M6	70.8 (8.0)	16(5) 25(3) 35(2)	150	Fork/Spade Terminal Copper Tube Crimp.Lug
150 180 210	Screw M8	141,6 (16.0)	50(0) 70(00) 90(000)	250	Fork/Spade Terminal Copper Tube Crimp.Lug

### 11.2 Cable dimensions of the Command Terminals

0.5mm<sup>2</sup> (AWG 18)

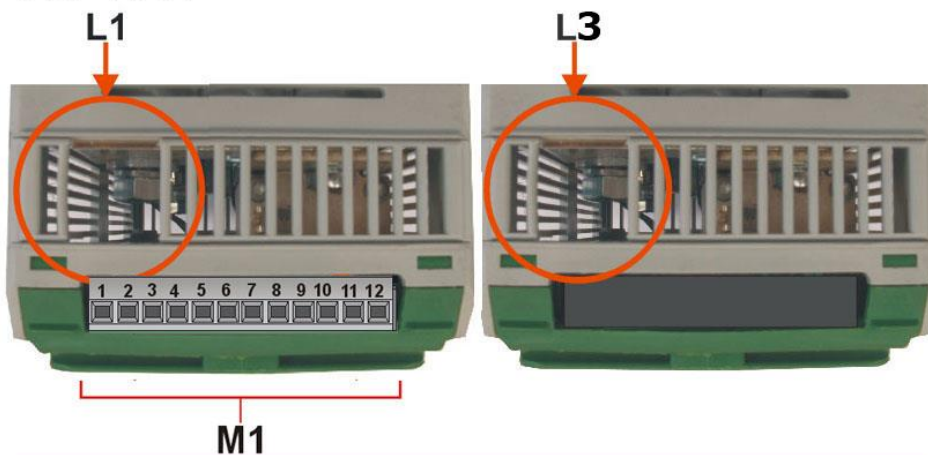
### 11.3 Cable dimensions of the Earth (suggested)

16 mm<sup>2</sup> (AWG 6) up to 120A

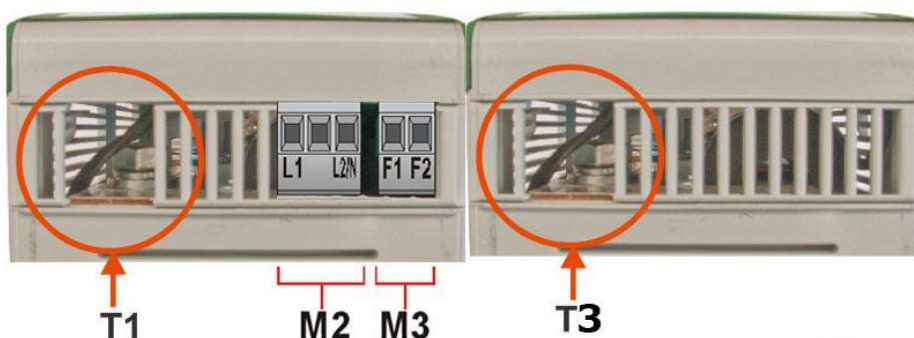
25 mm<sup>2</sup> (AWG 4) up to 210A

### 11.4 Terminals positions

TOP VIEW



DOWN VIEW





**Warning:** Before connecting or disconnecting the unit check that power and control cables are isolated from voltage sources.

## 11.5 Power Terminals

Terminal	Description
L1	Line Input Phase 1
T1	Load Output Phase 1
L3	Line Input Phase 3
T3	Load Output Phase 3

## 11.6 Command Terminals



**Warning:** Before connecting or disconnecting the unit check that power and control cables are isolated from voltage sources.

### 11.6.1 Terminal block M1

Terminal	Description
1	GND
2	COM I - Common Digital Input
3	DI 2 - Enable Digital Input
4	DI 1 - Configurable Input
5	+ Control Input (SSR/0-10Vdc/4-20mA)
6	- Control Input (SSR/0-10Vdc/4-20mA)
7	Output +10Vdc stabilized 1 mA MAX
8	Not connected
9	C - Common contact alarm relay output (see HB Alarm contact for config.)
10	NC\NO -Normally Close\Open contact alarm relay output (see HB Alarm contact for config.)
11	RS485 A
12	RS485 B

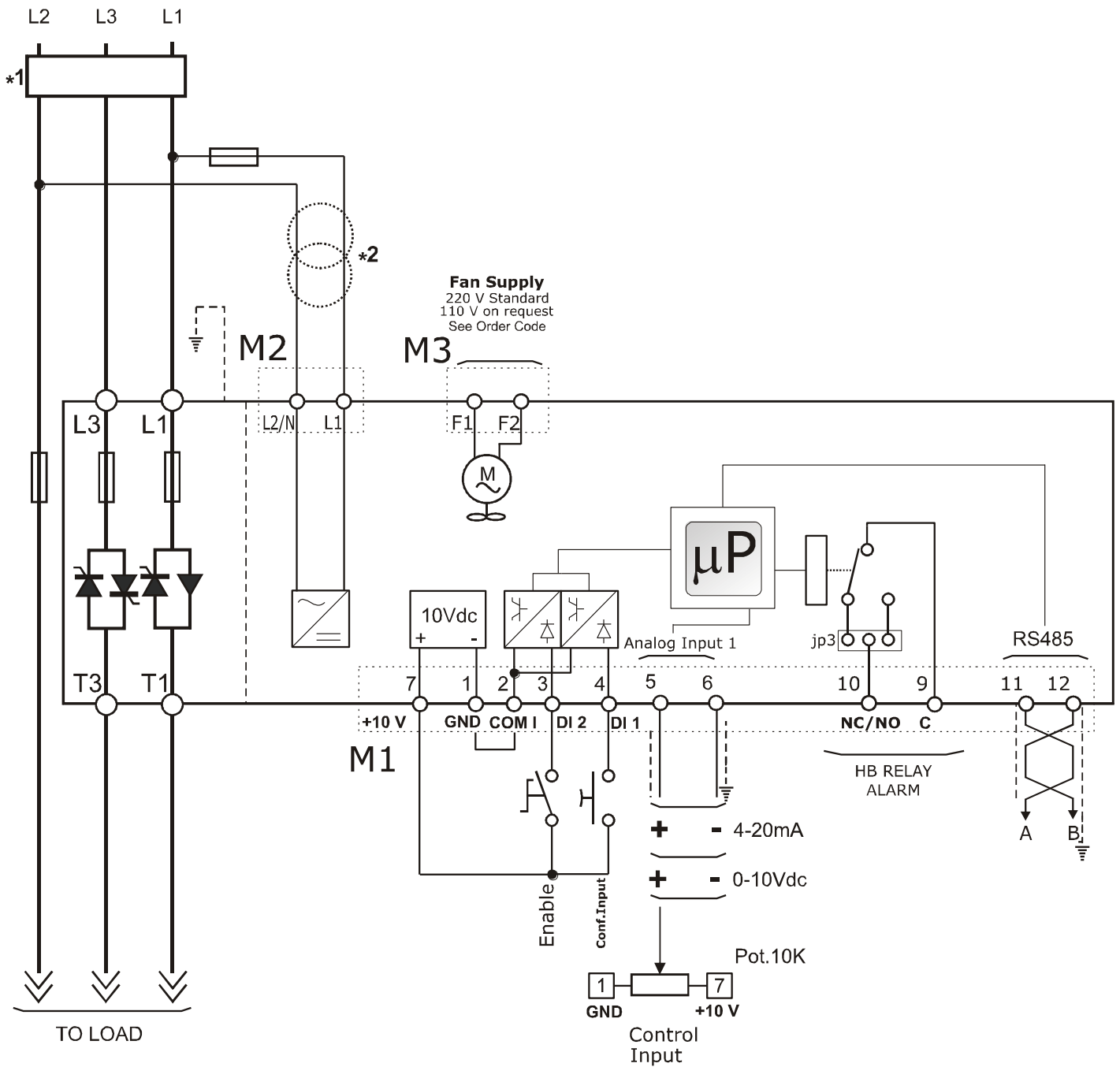
### 11.6.2 Terminal block M2

Terminal	Description
L1	Aux - Voltage Supply for electronic boards and sincronizzazione (See order code for the Value)
-	Not Connected
L2/N	Aux - Voltage Supply for electronic boards and sincronizzazione (See order code for the Value)

### 11.6.3 Terminal block M3 (Only from 120 to 210A)

Terminal	Description
F1	Fan supply (230V standard - 115V option)
F2	Fan supply (230V standard - 115V option)

### 11.7 Schematic



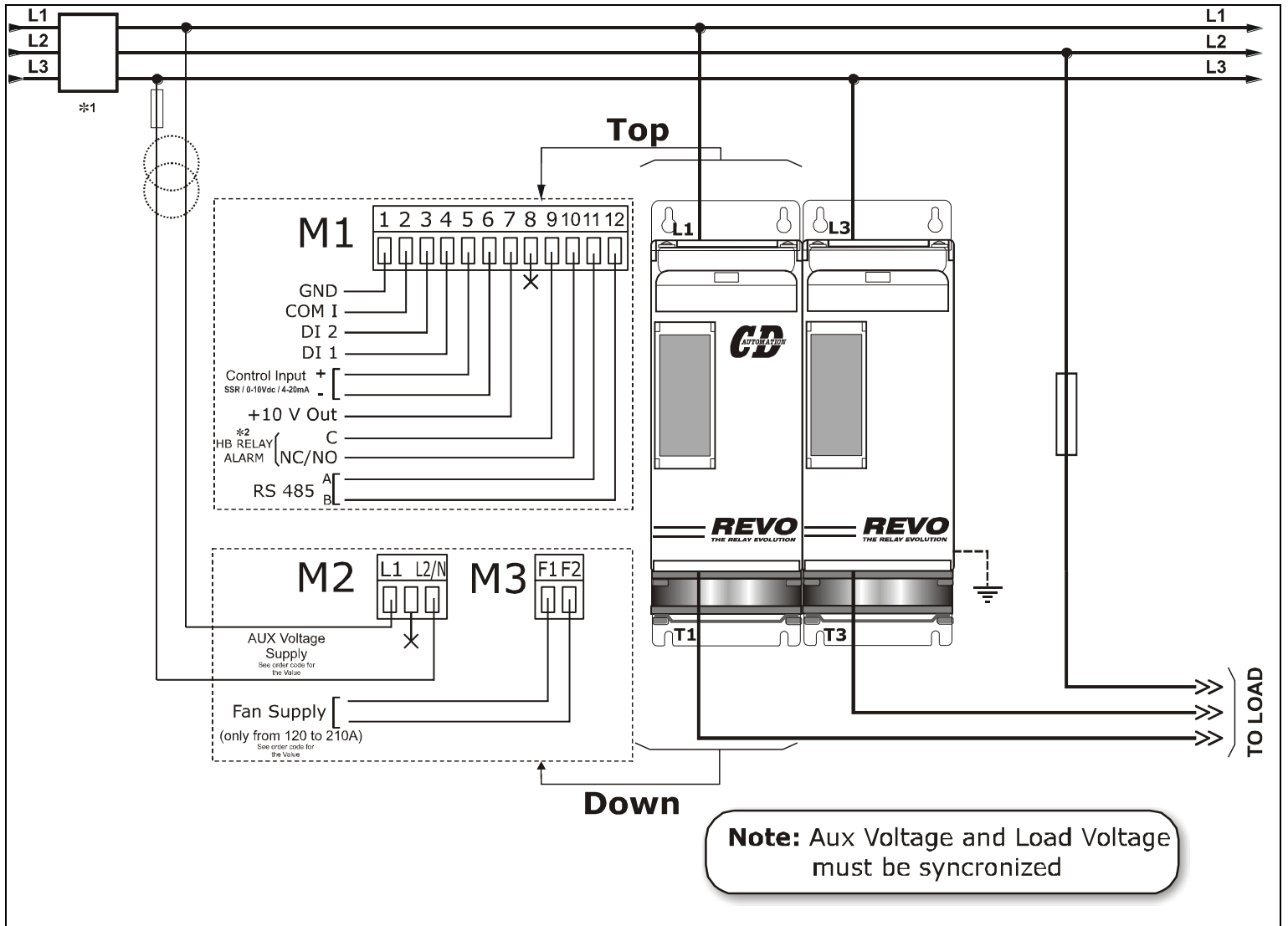
**NOTE:**

- \*1 The user installation must be protecting by electromagnetic circuit breaker or by fuse isolator. The semiconductor I2t should be 20% less than power controller I2t. Semiconductor fuses are classified for UL as suplemetar protection for semiconductor. They are note approved for branch circuit protection.
- \*2 The auxiliary voltage supply of the Revo M unit must be synchronized with load voltage power supply. If the Auxiliary Voltage (written on the identification label) is different from Supply Voltage (to the load), use an external transformer as designated.

### 11.8 Connection Diagram for 3 phases (control on 2 phases)

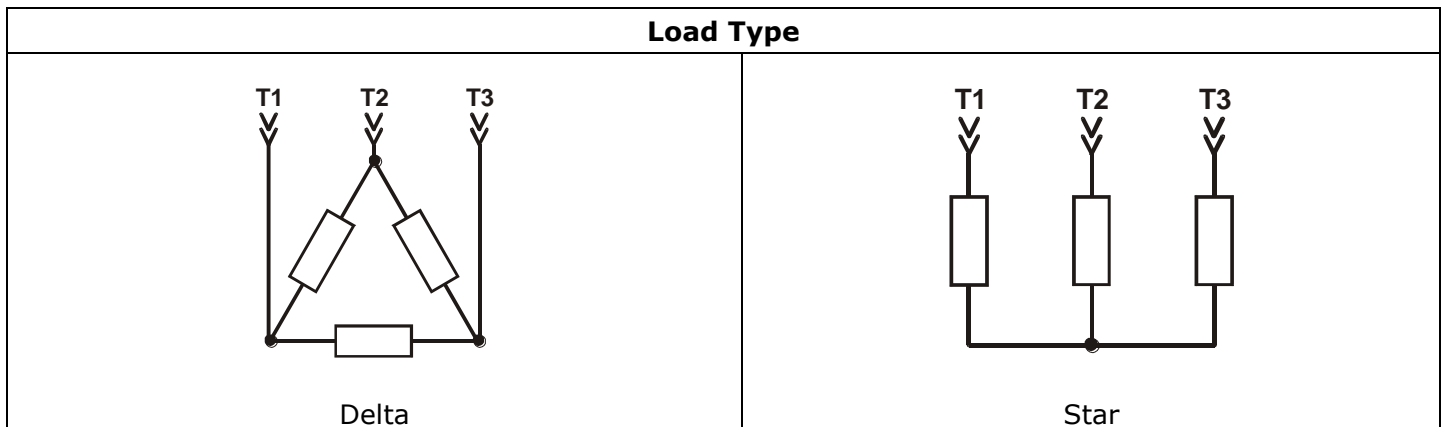


**Caution:** this procedure must be performed only by qualified persons.



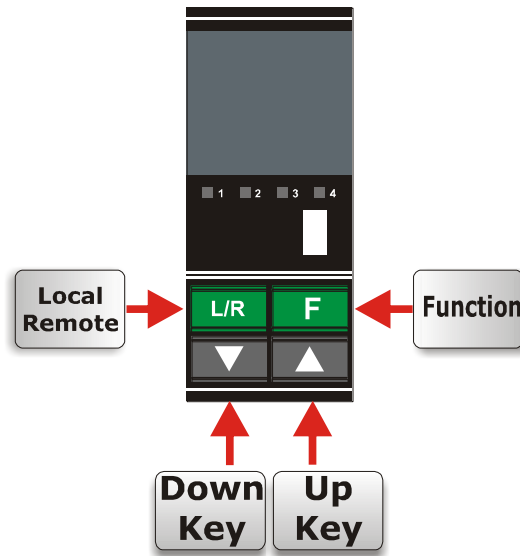
\*1 A suitable device must ensure that the unit can be electrically isolated from the supply, this allows the qualified people to work in safety.

\*2 See par. "Heater Break alarm and SCR short circuit (HB Option)"



# 12 Control Panel

The Control Panel is placed on the front of the thyristor unit, on his display you can visualize the alarms, the input and output signals and all the configuration parameters .

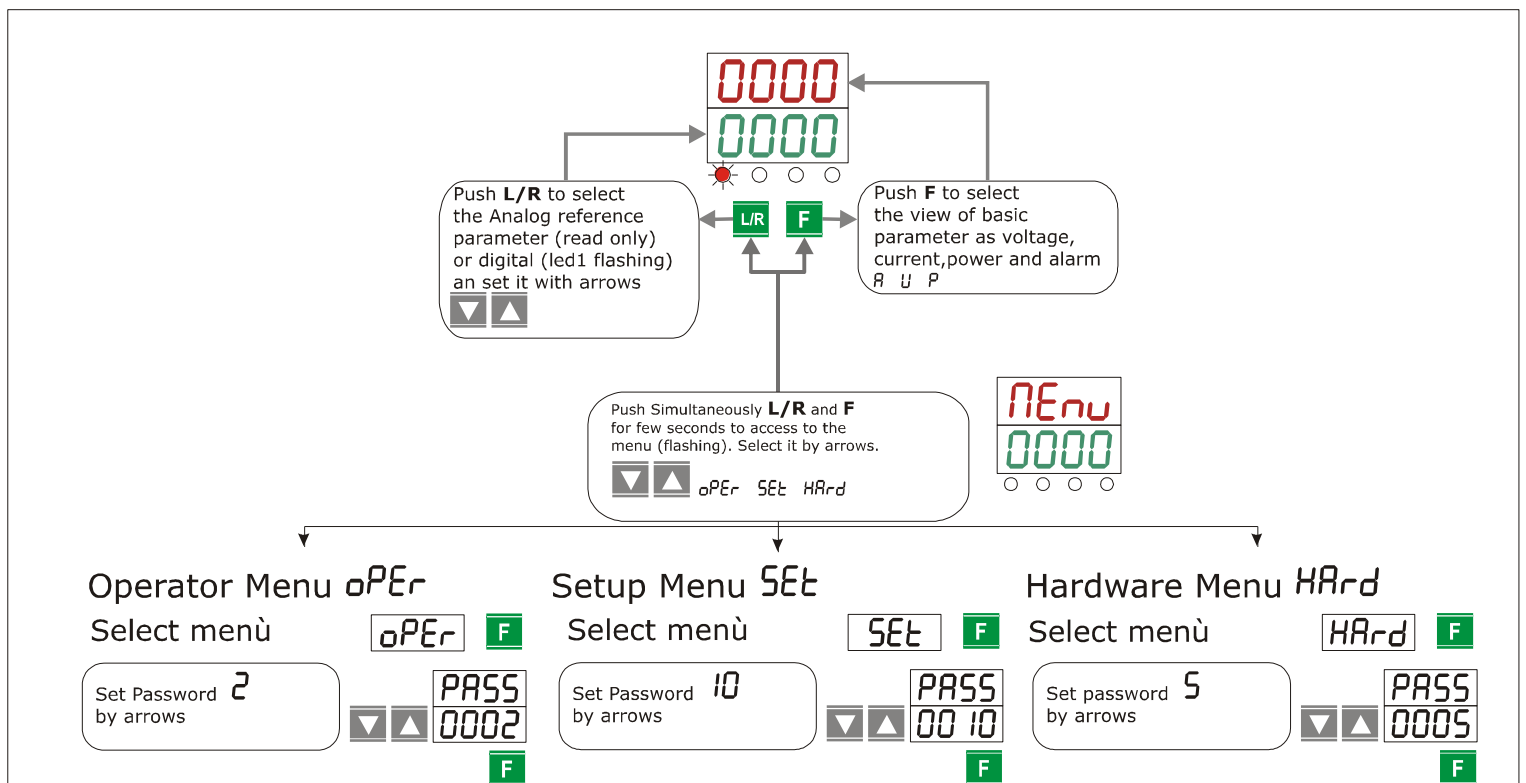


The function keys are the following:

- The **Function key F** is used to scroll the parameter *A U P*.
- The **UP key and DOWN key** are used to set the parameters in the menu and to change data.
- The **L/R key** is used to edit the parameters and to save the modified values.
- The **F+L/R** is used for enter and exit from the menu.

The Control Panel have three menu, and to enter in one of them you must set correctly the parameter *PASS* :

- Operator Menu (*PASS* = 2)  
This menù contains a reading parameters that give information on the state of the unit, it include also the base parameters for quick start, like the value of current and voltage load and the Set-point data.
- Hardware Menu (*PASS* = 5)  
This menu contains all the configuration parameters for analogic and digital I/O, and the parameters to set the serial port like the address and the baudrate.
- Setup Menu (*PASS* = 10)  
This menù contains all the setting parameters to configure the thyristor unit, like the firing type, the current limit, [ecc].



## 12.1 Scroll the parameters

Operator Menu <i>oPEr</i>	Setup Menu <i>SEt</i>	Hardware Menu <i>HArd</i>
<p><b>F</b> <b>▼</b> <b>▲</b> Set Max Output <b>F</b> <b>outn</b> <b>▼</b> <b>▲</b></p>	<p><b>F</b> <b>▼</b> <b>▲</b> Set Firing type <b>F</b> <b>Fir</b> <b>▼</b> <b>▲</b></p>	<p><b>F</b> <b>▼</b> <b>▲</b> Set analog input type <b>F</b> <b>A_In</b> <b>▼</b> <b>▲</b></p>
<p><b>F</b> Read Power Output <b>F</b> <b>P</b> <b>▼</b> <b>▲</b></p>	<p><b>F</b> <b>▼</b> <b>▲</b> Set HB Sensitivity <b>F</b> <b>Hb_S</b> <b>▼</b> <b>▲</b></p>	<p><b>F</b> <b>▼</b> <b>▲</b> Set Min. Value Input 1. <b>F</b> <b>LAI</b> <b>▼</b> <b>▲</b></p>
<p><b>F</b> Read Current Output <b>F</b> <b>A</b> <b>▼</b> <b>▲</b></p>	<p><b>F</b> <b>▼</b> <b>▲</b> Set HB Delay <b>F</b> <b>Hb_d</b> <b>▼</b> <b>▲</b></p>	<p><b>F</b> <b>▼</b> <b>▲</b> Set Max. Value Input 1 <b>F</b> <b>HAI</b> <b>▼</b> <b>▲</b></p>
<p><b>F</b> Read average voltage Output <b>F</b> <b>Uout</b> <b>▼</b> <b>▲</b></p>	<p><b>F</b> <b>▼</b> <b>▲</b> Set FeedBack type <b>F</b> <b>FEEd</b> <b>▼</b> <b>▲</b></p>	<p><b>F</b> <b>▼</b> <b>▲</b> Set Digital Input 1 <b>F</b> <b>cd i1</b> <b>▼</b> <b>▲</b></p>
<p><b>F</b> <b>▼</b> <b>▲</b> Set Load Voltage <b>F</b> <b>U_oP</b> <b>▼</b> <b>▲</b></p>	<p><b>F</b> <b>▼</b> <b>▲</b> Set cycle time. Only <math>F_{ir} = Cr</math> <b>F</b> <b>ct in</b> <b>▼</b> <b>▲</b></p>	<p><b>F</b> <b>▼</b> <b>▲</b> Set Digital Input 2 <b>F</b> <b>cd i2</b> <b>▼</b> <b>▲</b></p>
<p><b>F</b> <b>▼</b> <b>▲</b> Set Load Current <b>F</b> <b>A_Lo</b> <b>▼</b> <b>▲</b></p>	<p><b>F</b> <b>▼</b> <b>▲</b> Set cycle Burst Firing. only <math>F_{ir} = bF - bFr - bFdC</math> <b>F</b> <b>bf_n</b> <b>▼</b> <b>▲</b></p>	<p><b>F</b> <b>▼</b> <b>▲</b> Set Digital Output 1 <b>F</b> <b>cd o1</b> <b>▼</b> <b>▲</b></p>
<p><b>F</b> Digital input 1 Value <b>F</b> <b>d i1</b> <b>▼</b> <b>▲</b></p>	<p><b>F</b> <b>▼</b> <b>▲</b> Set Load Type <b>F</b> <b>LoAd</b> <b>▼</b> <b>▲</b></p>	<p><b>F</b> <b>▼</b> <b>▲</b> Serial Port Baud Rate <b>F</b> <b>bAud</b> <b>▼</b> <b>▲</b></p>
<p><b>F</b> Digital input 2 Value <b>F</b> <b>d i2</b> <b>▼</b> <b>▲</b></p>	<p><b>F</b> <b>▼</b> <b>▲</b> Set Proportional Band <b>F</b> <b>Pb</b> <b>▼</b> <b>▲</b></p>	<p><b>F</b> <b>▼</b> <b>▲</b> Serial Port Address <b>F</b> <b>Addr</b> <b>▼</b> <b>▲</b></p>
<p><b>F</b> Analogic/Dig. Value <b>F</b> <b>A_d</b> <b>▼</b> <b>▲</b></p>	<p><b>F</b> <b>▼</b> <b>▲</b> Set Integral Time <b>F</b> <b>t_i</b> <b>▼</b> <b>▲</b></p>	<p>To exit from the menu push a long time both <b>L/R</b> <b>F</b></p>
<p><b>F</b> <b>▼</b> <b>▲</b> Unit Enable Value <b>F</b> <b>EnAb</b> <b>▼</b> <b>▲</b></p>	<p><b>F</b> <b>▼</b> <b>▲</b> Start up displayed parameter <b>F</b> <b>StPr</b> <b>▼</b> <b>▲</b></p>	
<p><b>F</b> <b>▼</b> <b>▲</b> Digital Set Point <b>F</b> <b>L/R</b> <b>SP</b> <b>▼</b> <b>▲</b></p>	<p><b>F</b> <b>▼</b> <b>▲</b> Option not used <b>F</b> <b>rtPr</b> <b>▼</b> <b>▲</b></p>	
<p>To exit from the menu push a long time both <b>L/R</b> <b>F</b></p>	<p>To exit from the menu push a long time both <b>L/R</b> <b>F</b></p>	

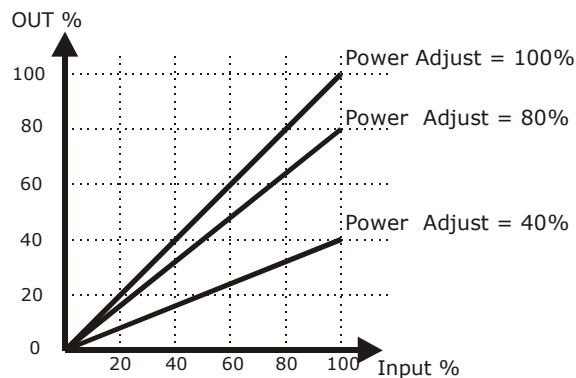
## 12.2 Operator Menu *oPEr*

- Push simultaneously **L/R** and **F** for few seconds to **access** to the menu (*Menu* flashing).
- Select by arrows **UP** and **DOWN** : *oPEr* then press **F**.
- Select by arrows **UP** and **DOWN** : *2* as password then press **F**.
- You have access to the parameter on *oPEr* menu.
- Select by arrows **UP** and **DOWN** the required parameter.
- If the parameter is **Write/Read (W/R)** press **F** (parameter flashing) then select by arrows **UP** and **DOWN** the required value, press **F** to set the new value.
- Push simultaneously **L/R** and **F** for few seconds to **Exit** from the menu

- **Maximum output:** Its' a scaling factor of the Input command signal.

Parameter Display	Parameter Name	Contents	UM	Default Value UM	Min Value DEC	Max Value DEC	Min Value UM	Max Value UM	Par. Type
<i>outN</i>	OutN	Maximum output	%	100	0	255	0	100	R/W

Sample Values and Note



- **Power output:** This parameter shows the Average power output.

Parameter Display	Parameter Name	Contents	UM	Default Value UM	Min Value DEC	Max Value DEC	Min Value UM	Max Value UM	Par. Type
<i>P</i>	P	Power output	%	-	0	1023	0	100	R

- **Current output:** This parameter shows the Average current output.

Parameter Display	Parameter Name	Contents	UM	Default Value UM	Min Value DEC	Max Value DEC	Min Value UM	Max Value UM	Par. Type
<i>A</i>	A	Current output	A	-	0	1023	0	102,3	from 60 to 90A
				-	0	1023	0	1023	from 120 to 210A

- **Average voltage output:** This parameter show the Average voltage output.

Parameter Display	Parameter Name	Contents	UM	Default Value UM	Min Value DEC	Max Value DEC	Min Value UM	Max Value UM	Par. Type
<i>Uout</i>	Vout	Average voltage	V	-	0	1023	0	1023	R/W

- **Operative Load Voltage:** This parameter is used to set in volt the operative voltage of the load.

Parameter Display	Parameter Name	Contents	UM	Default Value UM	Min Value DEC	Max Value DEC	Min Value UM	Max Value UM	Par. Type
<i>U_oP</i>	V_oP	Operative Load Voltage	V	229	0	1023	0	1023	R/W

- **Load nominal Current:** This parameter is used to set the Load nominal Current. This parameter is necessary to have the correct rescaling inside the unit. For this reason it's very important specify this value in the order code.

Parameter Display	Parameter Name	Contents	UM	Default Value UM	Min Value DEC	Max Value DEC	Min Value UM	Max Value UM		Par. Type
<i>A_Lo</i>	A_Lo	Load nominal Current	A	UnitType Max Current	0	1023	0	102,3	from 60 to 90A	R/W
					0	1023	0	1023	from 120 to 210A	

### ▪ Digital Input 1:

Parameter Display	Parameter Name	Contents	UM	Default Value UM	Min Value DEC	Max Value DEC	Min Value UM	Max Value UM	Par. Type
<i>d_i1</i>	Di1	Digital input 1	SW	-	0	1	0	1	R

#### Sample Values and Note

Di1 = *off*

Di1 = *on*

### ▪ Digital Input 2:

Parameter Display	Parameter Name	Contents	UM	Default Value UM	Min Value DEC	Max Value DEC	Min Value UM	Max Value UM	Par. Type
<i>d_i2</i>	Di2	Digital input 1	SW	-	0	1	0	1	R

#### Sample Values and Note

Di2 = *off*

Di2 = *on*



- **Analog/Digital Selection:** to set the main reference parameter taken from Analogic or Digital Input

Parameter Display	Parameter Name	Contents	UM	Default Value UM	Min Value DEC	Max Value DEC	Min Value UM	Max Value UM	Par. Type
<b>A__d</b>	A__d	Analog/Digital Selection	SW	Digital	0	1	0	1	R/W

**Sample Values and Note**

A\_\_d = *d 19* Digital  
 A\_\_d = *AnJ* Analog.

- **Unit Enable Selection:**

Parameter Display	Parameter Name	Contents	UM	Default Value UM	Min Value DEC	Max Value DEC	Min Value UM	Max Value UM	Par. Type
<b>EnAb</b>	EnAb	Unit Enable Selection	SW	Off	0	1	0	1	R/W

**Sample Values and Note**

EnAb = *off*  
 EnAb = *on*

- **Digital Set Point:**

Parameter Display	Parameter Name	Contents	UM	Default Value UM	Min Value DEC	Max Value DEC	Min Value UM	Max Value UM	Par. Type
<b>SP</b>	SP	Digital SetPoint	%	100.0	0	1023	0	100	R/W

**Sample Values and Note**

Input 4mA P015 SP = 0%  
 Input 12mA P015 SP = 50%  
 Input 20mA P015 SP = 100%

## 12.3 Setup Menu *SEt*

- Push simultaneously **L/R** and **F** for few seconds to **access** to the menu (*Menu* flashing).
- Select by arrows **UP** and **DOWN** : *SEt* then press **F**.
- Select by arrows **UP** and **DOWN** : *10* as password then press **F**.
- You have access to the parameter on *SEt* menu.
- Select by arrows **UP** and **DOWN** the required parameter.
- If the parameter is **Write/Read (W/R)** press **F** (parameter flashing) then select by arrows **UP** and **DOWN** the required value, press **F** to set the new value.
- Push simultaneously **L/R** and **F** for few seconds to **Exit** from the menu

### ▪ Set Firing type:

Parameter Display	Parameter Name	Contents	UM	Default Value UM	Min Value DEC	Max Value DEC	Min Value UM	Max Value UM	Write Read
<i>Fir</i>	Fir	Firing mode Selection	SW	2*	0	1024	0	1024	R/W

\*Default Value if not specified in the Order Code

#### Sample Values and Note

1 = Zero Crossing

*Cr*

2 = Burst Firing

*bF*

### ▪ Set HB sensitivity:

This parameter defines the threshold of resistance that activates the HB alarm  
This value is in percentage respect the nominal resistance load value

Parameter Display	Parameter Name	Contents	UM	Default Value UM	Min Value DEC	Max Value DEC	Min Value UM	Max Value UM	Par. Type
<i>Hb_S</i>	Hb_S	HB sensitivity	%	100	0	100	0	100	R/W

### ▪ Set HB Delay: This parameter set a delay to have HB alarm active

Parameter Display	Parameter Name	Contents	UM	Default Value UM	Min Value DEC	Max Value DEC	Min Value UM	Max Value UM	Par. Type
<i>Hb_d</i>	Hb_S	HB delay	sec	20	0	255	0	255	R/W

### ▪ Set FeedBack type: This parameter selects the Feed-back type.

Parameter Display	Parameter Name	Contents	UM	Default Value UM	Min Value DEC	Max Value DEC	Min Value UM	Max Value UM	Par. Type
<i>FEEd</i>	FEEd	Feed back selection	SW	1*	0	1024	0	1024	R/W

\*Default Value if not specified in the Order Code

#### Sample Values and Note

0 = V2

*U2*

1 = NO Feed Back

*nooE*

32 = Voltage V

*U*

64 = Current I

*I*

128 = Power V X I

*P*

**▪ Cycle Time:**

The Cycle Time is the time which the Thyristor modulates to obtain the power demand.

Parameter Display	Parameter Name	Contents	UM	Default Value UM	Min Value DEC	Max Value DEC	Min Value UM	Max Value UM	Par. Type
<b>ct n</b>	ctiN	Cycle time	mSec x50	60	0	255	0	255	R/W

**Sample Values and Note**

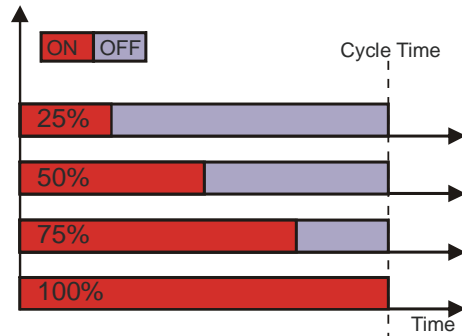
Only with Fir = Zero Crossing  $\zeta$

With a Cycle time at 4 sec:

25% -> 1sec On+3sec off

50% -> 2sec On+2sec off

75% -> 3sec On+1sec off



**▪ Burst Firing Cycles number:**

It defines the number of voltage cycles in ON condition at 50% of power demand

Parameter Display	Parameter Name	Contents	UM	Default Value UM	Min Value DEC	Max Value DEC	Min Value UM	Max Value UM	Par. Type
<b>bF_n</b>	bF_n	Burst Firing Cycles	Cycle	4*	1	255	1	255	R/W

**Sample Values and Note**

Only with Fir = Burst Firing

**bF**

\*Default Value if not specified in the Order Code

**▪ Load Type:**

Parameter Display	Parameter Name	Contents	UM	Default Value UM	Min Value DEC	Max Value DEC	Min Value UM	Max Value UM	Par. Type
<b>LoAd</b>	Load	Load Type	SW	0	0	3	0	3	R/W

**Sample Values and Note**

0 = STAR

2 = DELTA

- **Set Proportional Band:** This parameter is the gain of the feed-back loop.

Parameter Display	Parameter Name	Contents	UM	Default Value UM	Min Value DEC	Max Value DEC	Min Value UM	Max Value UM	Par. Type
<b>Pb</b>	Pb	Proportional Band	%	8	1	255	1	255	R/W

- **Set Integral Time:** This parameter is the integral time of the feed-back loop.

Parameter Display	Parameter Name	Contents	UM	Default Value UM	Min Value DEC	Max Value DEC	Min Value UM	Max Value UM	Par. Type
<b>t<sub>i</sub></b>	ti	Set Integral time	%	20	1	255	1	255	R/W

- **Start Up Displayed Parameter:** This parameter select the default output value displayed at the start up of the unit.

Parameter Display	Parameter Name	Contents	UM	Default Value UM	Min Value DEC	Max Value DEC	Min Value UM	Max Value UM	Par. Type
<b>StPr</b>	StPr	Start Up Parameter	SW	U	0	1024	0	1024	R/W

#### Sample Values and Note

81 = Voltage output

U

82 = Current output

I

128 = Power V X I

P

## 12.4 Hardware Menu *HArd*

- Push simultaneously **L/R** and **F** for few seconds to **access** to the menu (*Menu* flashing).
- Select by arrows **UP** and **DOWN** : *HArd* then press **F**.
- Select by arrows **UP** and **DOWN** : *5* as password then press **F**.
- You have access to the parameter on *HArd* menu.
- Select by arrows **UP** and **DOWN** the required parameter.
- If the parameter is **Write/Read (W/R)** press **F** (parameter flashing) then select by arrows **UP** and **DOWN** the required value, press **F** to set the new value.
- Push simultaneously **L/R** and **F** for few seconds to **Exit** from the menu

### ▪ Set Analog input Value:

Parameter Display	Parameter Name	Contents	UM	Default Value UM	Min Value DEC	Max Value DEC	Min Value UM	Max Value UM	Par. Type
<i>A_in</i>	A_1n	Input type	V	3*	0	255	0	255	R/W

#### Sample Values and Note

0 = SSR Input	<i>55r</i>
1 = 0-10 Vdc / 10Kpot	<i>0_10</i>
2 = 4-20 mA	<i>4_20</i>
3 = 0-20 mA	<i>0_20</i>

### ▪ Set Minimum input1 value:

Parameter Display	Parameter Name	Contents	UM	Default Value UM	Min Value DEC	Max Value DEC	Min Value UM	Max Value UM	Par. Type
<i>L A1</i>	L A1	Save value Minimum input 1	Sw	0	0	1	0	1	R/W

#### Sample Values and Note

Default Value	<i>DEF</i>
Save Value	<i>SAuE</i>

Only with *A\_in* Analog Input Value = *0\_10 4\_20 0\_20*

### ▪ Set Maximum input1 value:

Parameter Display	Parameter Name	Contents	UM	Default Value UM	Min Value DEC	Max Value DEC	Min Value UM	Max Value UM	Par. Type
<i>H A1</i>	HiA1	Save value Maximum input 1	Sw	0	0	1	0	1	R/W

#### Sample Values and Note

Default Value	<i>DEF</i>
Save Value	<i>SAuE</i>

Only with *A\_in* Analog Input Value = *0\_10 4\_20 0\_20*

▪ **Digital input 1 configuration :** This parameter selects the function of digital input.

Parameter Display	Parameter Name	Contents	UM	Default Value UM	Min Value DEC	Max Value DEC	Min Value UM	Max Value UM	Par. Type
<i>[di1]</i>	CDi1	Digital input 1 configuration	SW	0	0	3	0	3	R/W

**Sample Values and Note**

- 0 = Enable *EnAb*
- 2 = Change To V FeedBack *Fbtr*
- 3 = L/R Enable *LrE*
- 4 = Change Firing PA/xx *FirE*

▪ **Digital input 2 configuration :** This parameter selects the function of digital input.

Parameter Display	Parameter Name	Contents	UM	Default Value UM	Min Value DEC	Max Value DEC	Min Value UM	Max Value UM	Par. Type
<i>[di2]</i>	CDi2	Digital input 2 configuration	SW	0	0	3	0	3	R/W

**Sample Values and Note**

- 0 = Enable *EnAb*
- 2 = Change To V FeedBack *Fbtr*
- 3 = L/R Enable *LrE*
- 4 = Change Firing PA/xx *FirE*

▪ **Digital Output 1 configuration :**

Parameter Display	Parameter Name	Contents	UM	Default Value UM	Min Value DEC	Max Value DEC	Min Value UM	Max Value UM	Par. Type
<i>[do1]</i>	CDo1	DigitalOut. 1 configuration	SW	0	0	3	0	3	R/W

**Sample Values and Note**

- 0 = Enable HB - SCR s.c Alarms *ALEn*
- 1 = Disable HB Alarm *SCEn*
- 2 = Disable SCR Alarm *HbEn*
- 3 = Disable HB - SCR s.c Alarms *None*

▪ **Serial port Baud Rate :** This parameter selects the Baud rate on the serial port.

Parameter Display	Parameter Name	Contents	UM	Default Value UM	Min Value DEC	Max Value DEC	Min Value UM	Max Value UM	Par. Type
<i>bAud</i>	bAud	Baud Rate	SW	2	0	3	0	3	R/W

**Sample Values and Note**

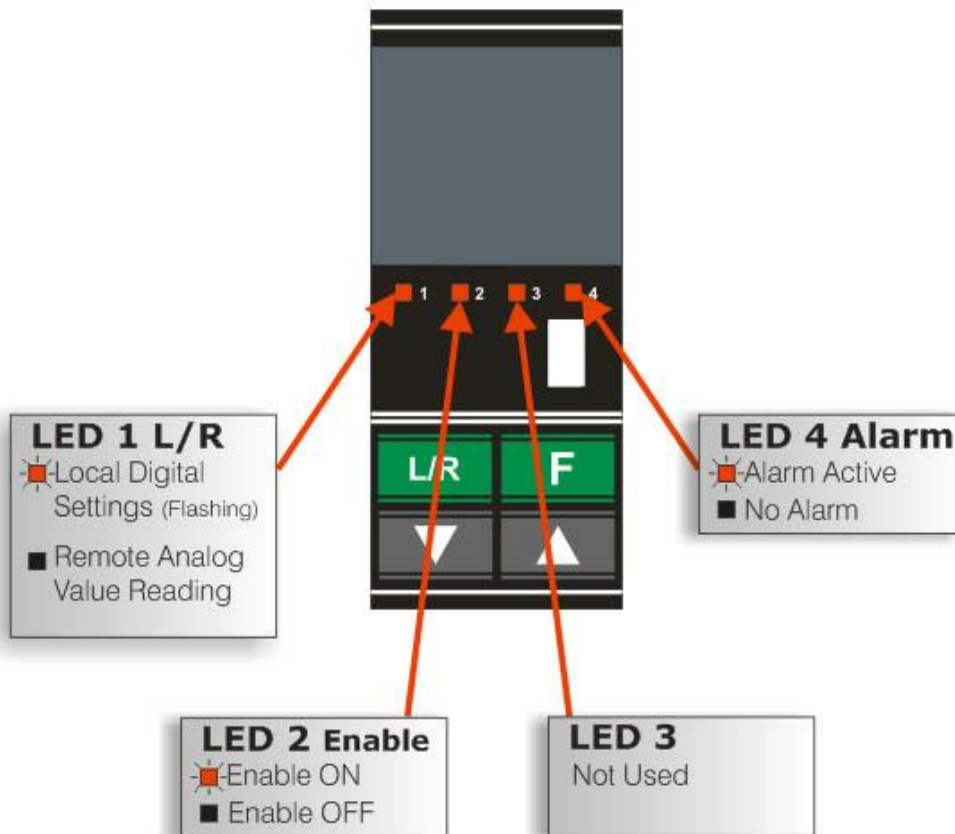
- 0 = 4800 baud *4800*
- 1 = 9600 baud *9600*
- 2 = 19200 baud *1920*
- 3 = 38400 baud *3840*

▪ **Serial port Address :**

This parameter selects the Address on the serial port for the thyristor unit.

Parameter Display	Parameter Name	Contents	UM	Default Value UM	Min Value DEC	Max Value DEC	Min Value UM	Max Value UM	Par. Type
<i>Addr</i>	Addr	Address	Add.	1	1	255	1	255	R/W

**12.5 Control Panel Led**



**12.6 Displayed Alarms**

Alarm on Display	Description
<i>SHrt</i>	Short Circuit on SCR!
<i>ALHb</i>	Heater Break Alarm!

## 13 Input output signal

### 13.1 Digital Input

The REVO M thyristor unit has 2 digital inputs opto-isolated to 24Vdc 5 mA.

You can activate the inputs with the internal supply or with an external source for example the PLC.

#### 13.1.1 Start/Stop (Terminal 3 of M1)

This is the start command (Enable) of the REVO M.

If you Remove the Start command the REVO M thyristor unit will be stopped and the output will return at zero.

#### 13.1.2 Configurable Input (Terminal 4 of M1)

This digital input is configured by the parameter  $\text{Cd} \cdot I$  and could perform different functions:

- Enable:  
This function forces the output at zero.
- Feed-Back Selection:  
With this function, when you active the input, the feed-back setted in the parameter  $\text{FEEd}$  change in Voltage Feed-Back (V).
- Analog/Digital Setpoint(Local/Remote):  
With this function, when you active the input, the setpoint reference change from Analog input to Digital value in bumpless mode, setted in the parameter  $\text{SP}$ . The parameter SP is not stored in memory.

### 13.2 Digital Output (terminal 9-10 of M1)

The REVO M thyristor unit has 1 relay output on terminal 9-10 of terminal block M1(Max 500mA, 125Vac). The functionality of this output can be setted with the parameter  $\text{Co} \cdot I$

This digital output can be configured in order to activate itself after that one of these alarms occurs:

- HB and SC alarm are active.
- Only HB alarm is active.
- Only SC alarm is active.

See par. "15.3 Relay Jumper configuration on JP3" to set the Relay NC or NO (Normally close-normalmente open).



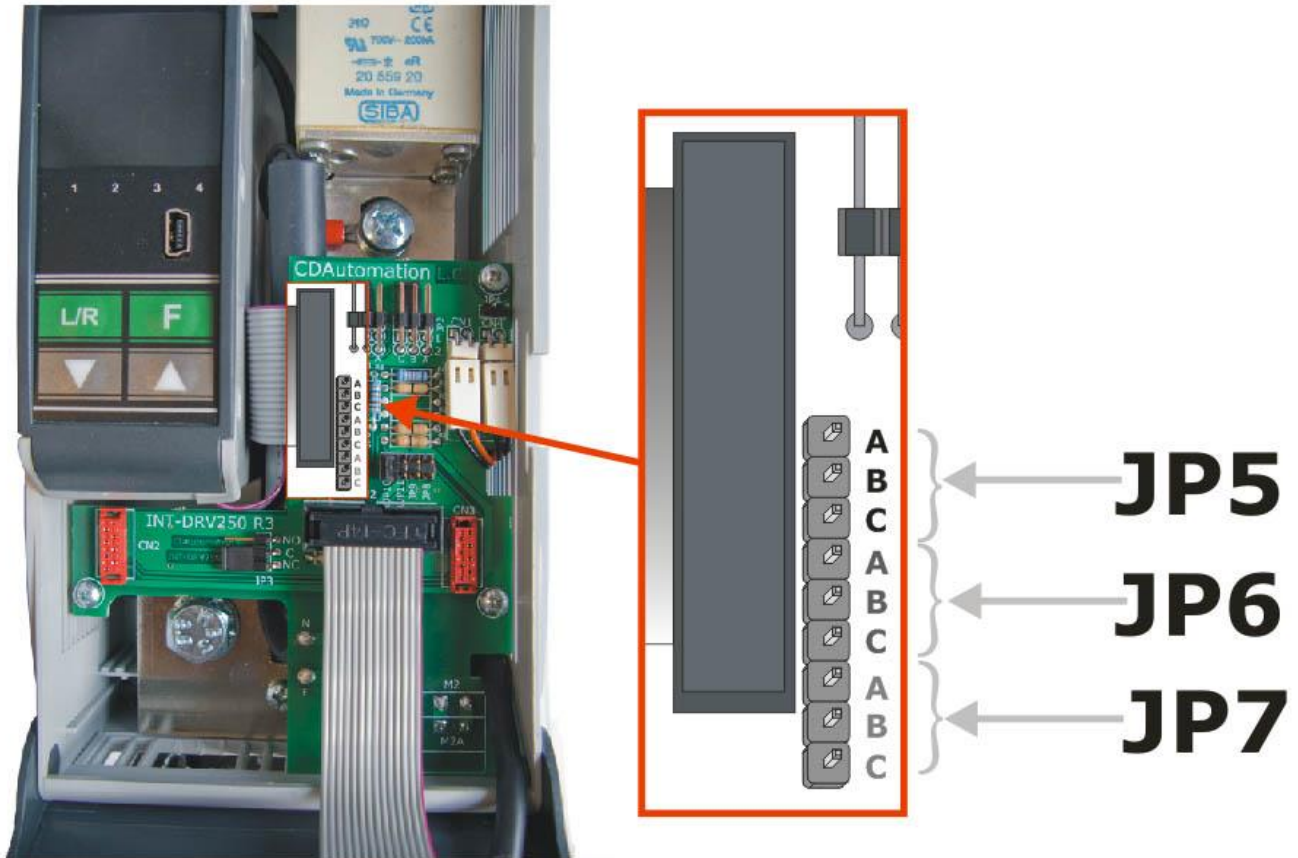
### 13.3 Analog Inputs

#### 13.3.1 Primary Input (Terminals 5 and 6 of M1)

The REVO M thyristor unit has 1 analog inputs for the analog setpoint.

The primary input is already configured in line with customer requirements that are defined in the Order Code. The Order Code is written on the identification label.

However, if you wish to change the primary input (ex. from 0÷10V to 4÷20mA) proceed as follows:



	0 ÷ 10	4 ÷ 20	SSR
A B C JP5	A-B	A-B	B-C
A B C JP6	B-C	B-C	A-B
A B C JP7	B-C	A-B	-

Type	Input features	
0÷10V (default)	Impedance	15KΩ
POT	Impedance	10KΩ min
4÷20mA	Impedance	100Ω

#### 13.3.2 Primary Input calibration procedure

When you change the hardware setting is necessary make the Input calibration procedure.

To make the Input calibration procedure follow these steps:

- Give the power supply.
- With Control Panel go in the Hardware menu (PR55 = 5)
- Set the input signal to the min value (ex. 0V for 0÷10V or 4mA for 4÷20mA)
- Select the parameter **L iA I** then press **F** (L iA I Flashing)
- Press **Up** key (SAuE on display)
- Press **F** key to confirm (dEF on display)
- Set the input signal to the max value (ex.10V for 0÷10V or 20mA for 4÷20mA)
- Select the parameter **H iA I** then press **F** (L iA I Flashing)
- Press **Up** key (SAuE on display)
- Press **F** key to confirm (dEF on display)
- The Input calibration procedure is done.

## 14 Heater Break alarm and SCR short circuit (HB Option)



**Caution:** to work properly the load must be powered at least about 160msec.

The Heater Break circuit read the load resistance with an Internal voltage transducer and Internal current transformer (C.T.) , to calculate the resistance (V/I).

Minimum current is 10% of the current transformer size.

If load current is below this value the Heater Break Alarm doesn't work properly.

### 14.1 Heater break Calibration procedure

An automatic function sets the Heater Break Alarm ,when write in the parameter **R<sub>Lo</sub>** the load current and in the parameter **U<sub>oP</sub>** the load voltage.

If the load resistance increases due to a partial or total load failure ,the HB alarm become ON and alarm relay change status.

You can Adjust the sensibility of HB alarm by using the parameter **Hb<sub>S</sub>** This parameter is set between 1 and 255% of the nominal resistance.

This parameter is the maximum increment of the resistance Load to establish the HB Alarm.

There is also **HB<sub>d</sub>** parameter to set a delay to have HB alarm active.

### 14.2 HB alarm contact (digital output)

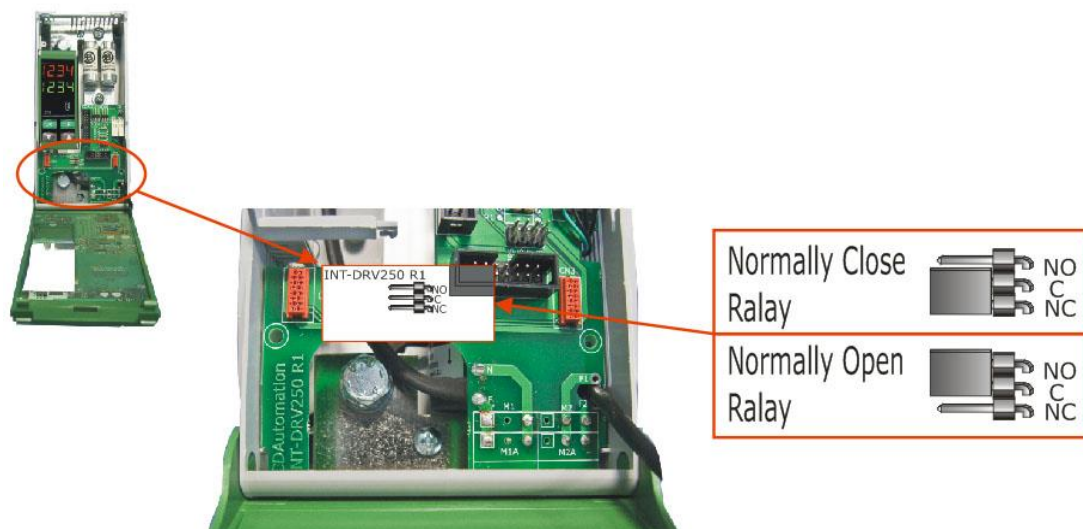
The Revo unit with HB option, is supplied with Heater Break alarm contact normally opened (NO):

- In normal conditions (without alarm) and with auxiliary power supply, the contact to the terminals has opened (relay coil energized).
- In alarm condition or without auxiliary power supply the contact to the terminals is closed (relay coil not energized).

This alarm can be configured in order to activate itself after that one of these alarms occurs:

- HB and SC alarm are active.
- Only HB alarm is active.
- Only SC alarm is active.

### 14.3 Relay Jumper configuration on JP3



## 15 Firing type

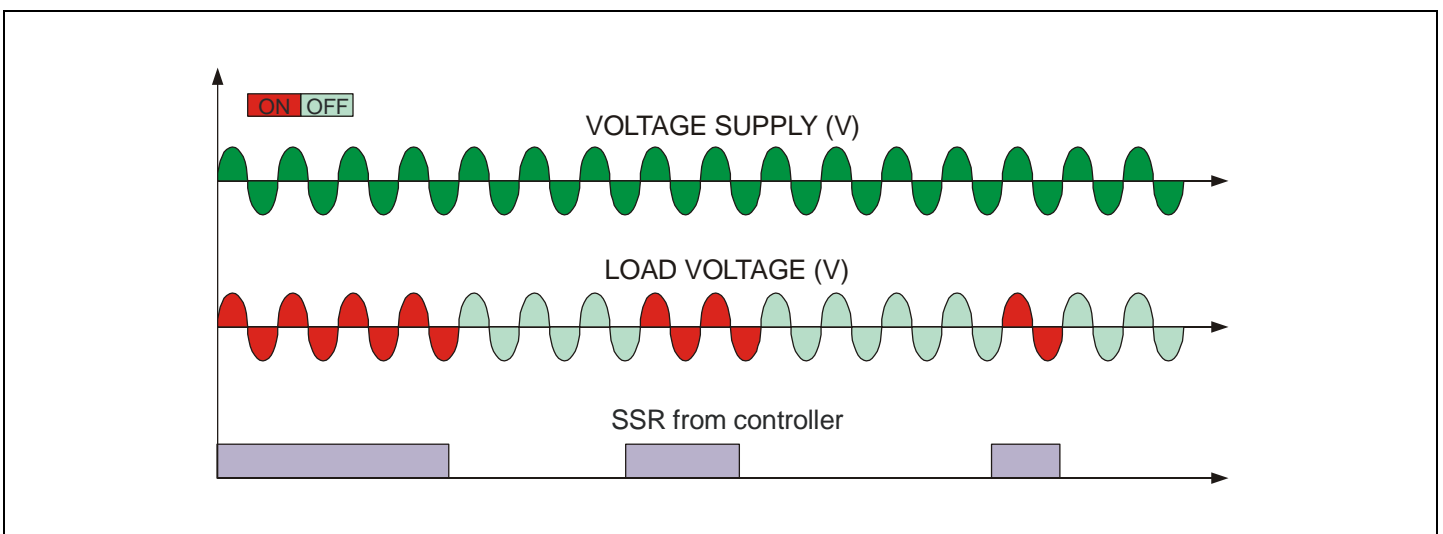
Choose an correct firing type allows to optimize the thyristor unit for the installed load. The firing type has already configured in line with customer requirements that are defined in the Order Code. The Order Code is written on the identification label. However, if you wish to change the firing type you can use the software configurator or the Control Panel  $F_{ir}$  parameter on  $SEt$  menu.



**Caution:** this procedure must be performed only by qualified persons.

### 15.1 Zero Crossing (ZC - $\zeta r$ )

ZC firing mode is used with Logic Output from temperature controllers and the Thyristor operates like a contactor. The Cycle time is performed by temperature controller. ZC minimizes interferences because the Thyristor unit switches ON-OFF at zero voltage.

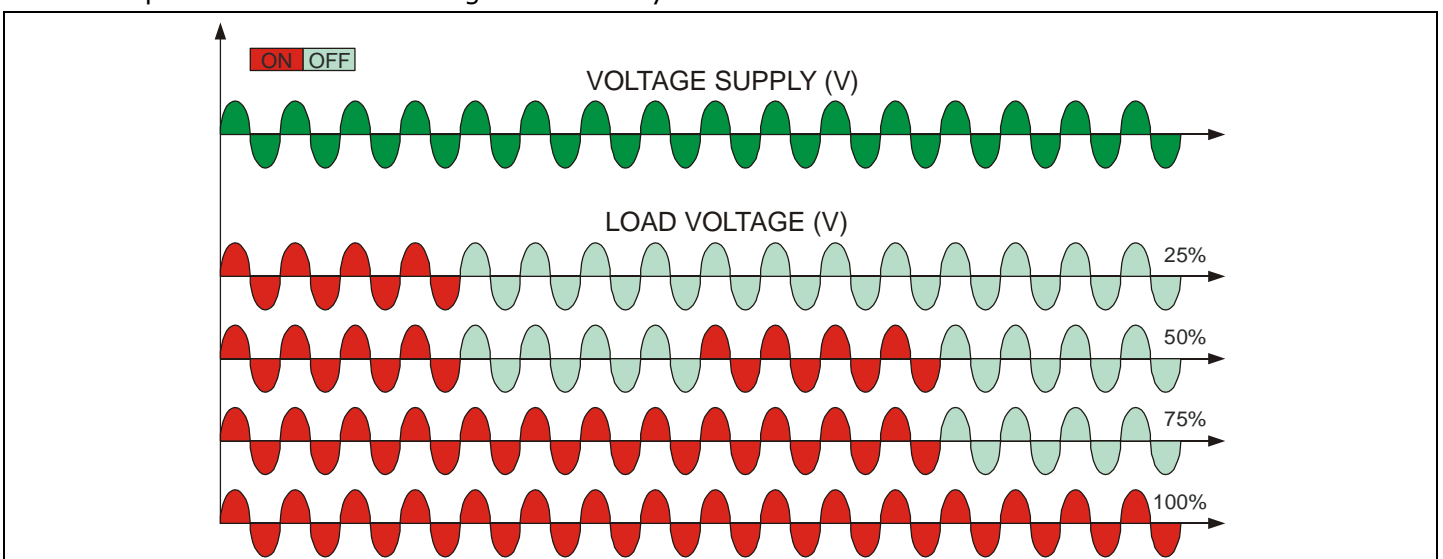


### 15.2 Burst Firing (BF - $bf$ )

The Burst Firing is similar to the Single Cycle, but consecutive cycles ON are selectable between 2 and 255, with input signal equal at 50%.

Burst Firing is a method zero crossing that it reduces the electromagnetic interferences because the thyristor switches at zero voltage crossing.

The example show the Burst Firing with Burst cycles:  $bf_n = 4$



## 16 Feed-back type

The Feed-back type has already configured in line with customer requirements that are defined in the Order Code. The Order Code is written on the identification label. However, if you wish to change the Feed-back type you can use the software configurator or the Control Panel.



**Caution:** *this procedure must be performed only by qualified persons.*

The Feed-back type is defined by the parameter *FEEd*.

If the configurable digital input has set like Feed-Back Selection, it's possible to change the select Feed-Back with the Voltage Feed-Back (V) simply activating the input.

The feed-back defines the Control Mode. It's possible to have:

- **V** = Voltage feed-back.  
The input signal is proportional to the output voltage. This means that input signal becomes a voltage demand. This control mode compensates the voltage fluctuation of the incoming line supply.
- **W** = Power feed-back.  
The input signal is proportional to the power output. This means that input signal becomes a power demand. The power remains constant also if voltage and load impedance change. This control mode is used with silicon carbide elements that change its resistive value with temperature and with age. In addition it compensates the voltage fluctuation of the incoming line supply.
- **NO**=No Feedback Open Loop. The input is proportional to the firing angle ( $\alpha$ ).

### Also available for special application.

- **I** = Current feed-back.  
The input signal is proportional to the current output. This means that input signal becomes a current demand. This control mode maintain the current also if the load impedance changes.
- **V2** = Square Voltage feed-back.  
The input signal is proportional to the output square voltage. This means that input signal becomes a power demand. The power remains constant if the load impedance doesn't change.

## 17 RS485 Serial Port

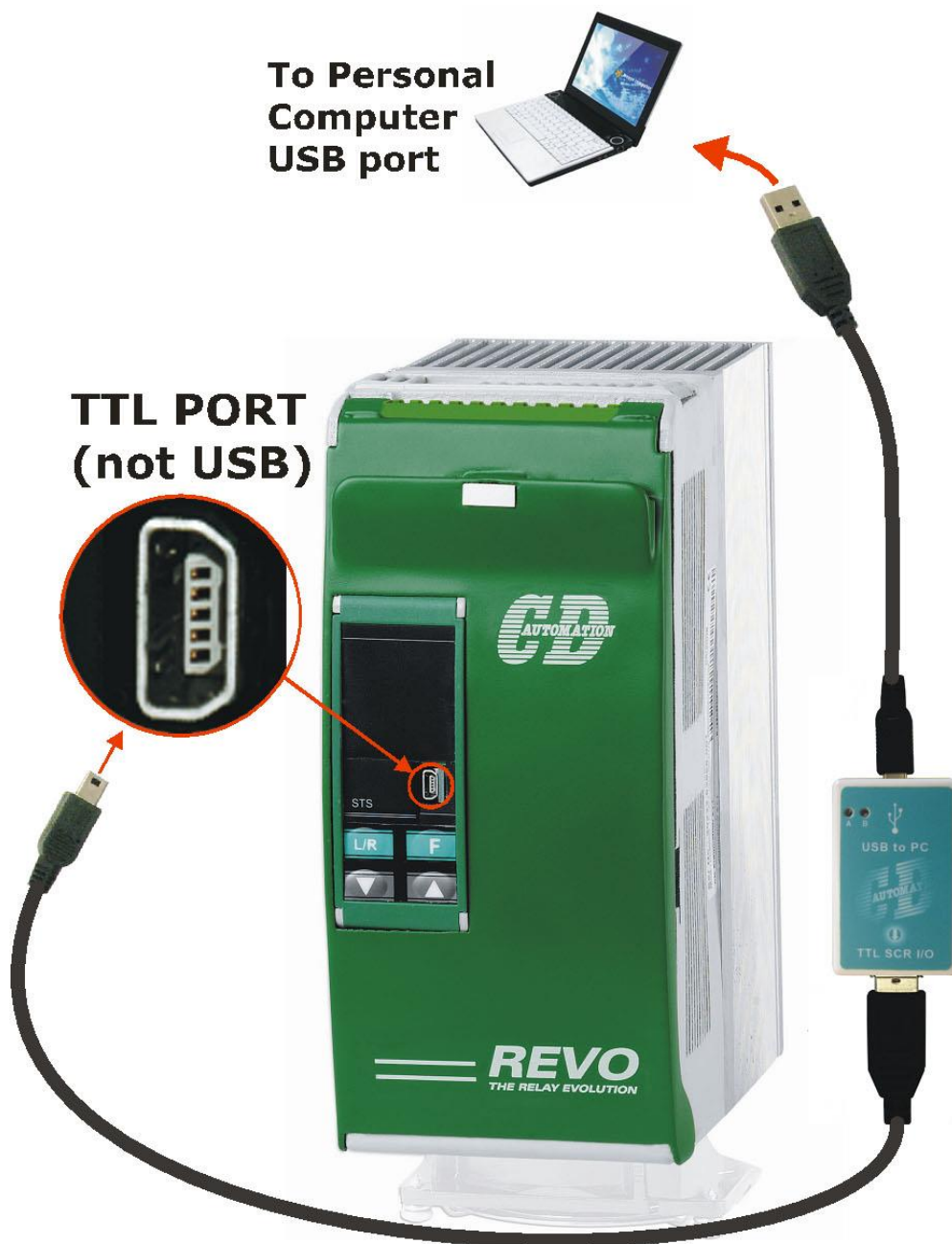
The serial communication port RS485 is available on the Command Terminals. On this port may be done a network up to 127 REVO M.

Terminal M1	Description
11	RS485 A
12	RS485 B

## 18 PG Connector

The PG Connector is used to configure the thyristor unit with the configuration software and with the programming cable.

The programming cable is not included.

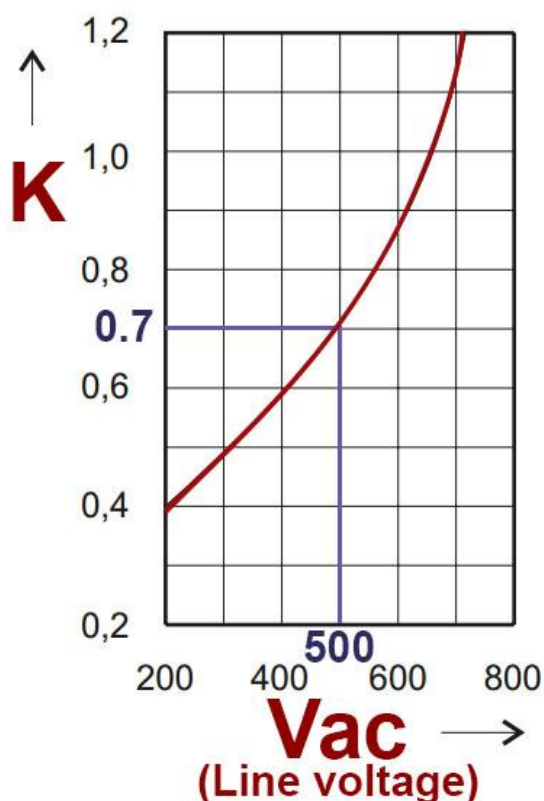


## 19 Internal Fuse

The thyristor unit have internal fuse extrarapid at low  $I^2t$  for the thyristor protection of against the short-circuits. The Fuses must have  $I^2t$  20% less than thyristor's  $I^2t$ .

The warranty of thyristor is null if no proper fuses are used.

Type	Fuse Code Spare Part	Current (ARMS)	Vac	FUSE I2T value Suggested A2s (at500V)*	FUSE I2T value Suggested A2s (at660V)
060	20 559 20.160	160	660	10780	15400
090	20 559 20.160	160	660	10780	15400
120	20 559 20.180	180	660	14280	20400
150	20 559 20.200	200	660	17500	25000
180	20 559 20.250	250	660	30800	44000
210	20 559 20.315	315	660	53900	77000



\*  $I_2T$  are multiplied for K value in function of Vac at 500V K is equal to 0,7 (ex:12400 X 0,7 = 8680). At 660Vsc K is equal to 1.



**Caution:** High speed fuses are used only for the thyristor protection and can not be used to protect the installation.



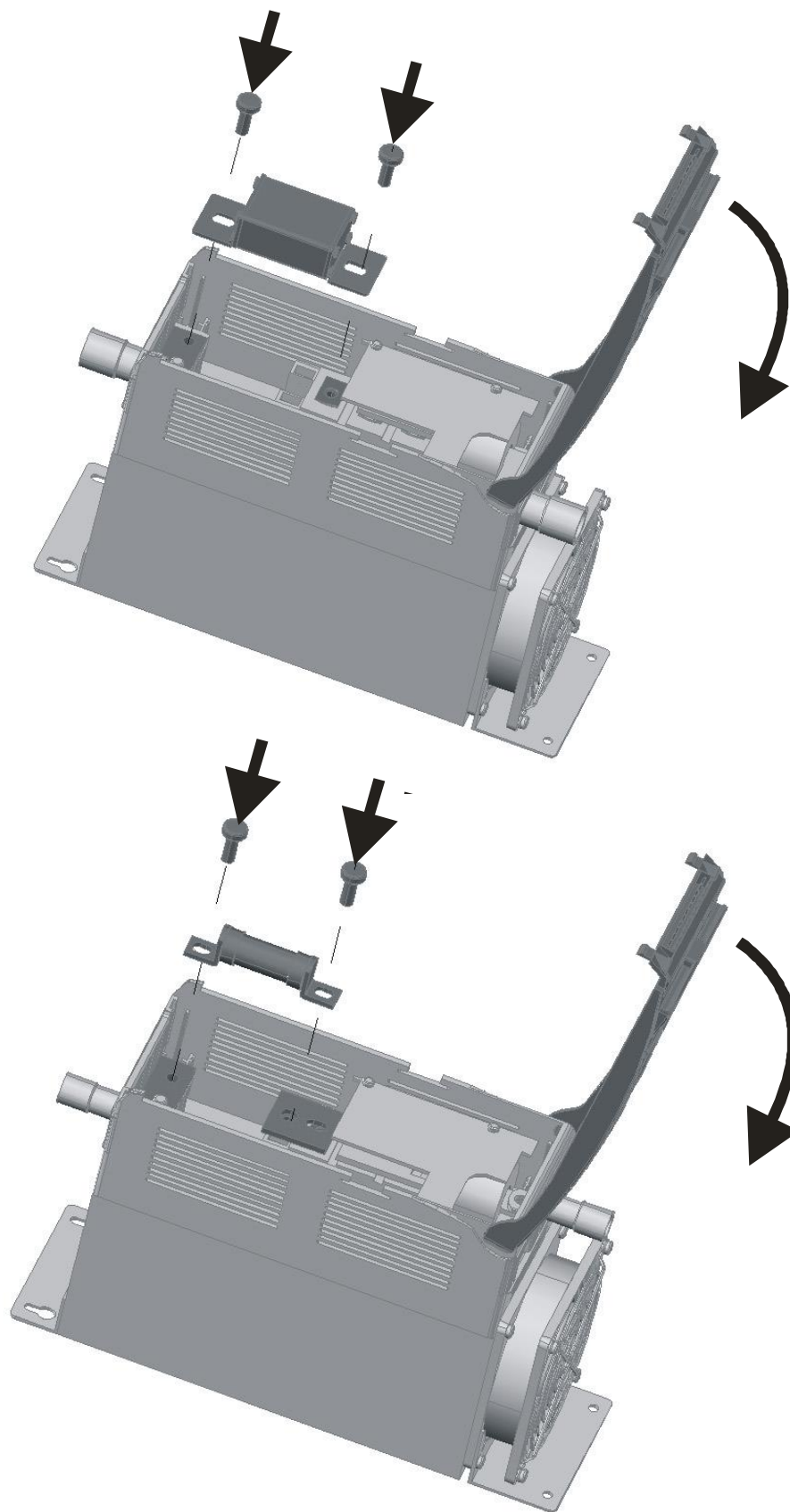
**Caution:** The warranty of thyristor is null if no proper fuses are used. See tab.



**Warning:** When it is supply, the Thyristor unit is subject to dangerous voltage, don't open the Fuse-holder module and don't touch the electric equipments.

## 19.1 Fuses Replacement

Open the cover and remove the screws



## 20 Maintenance

In order to have a corrected cooling, the user must clean the heat-sink and the protective grill of the fans. The frequency of this servicing depends on environmental pollution.

Also check periodically if the screw for the power cables and safety earth are tightened correctly (See Connection Diagram)

### 20.1 Trouble Shooting

Small problems sometimes can be solved locally with the help of the below tab of trouble shooting. If you don't succeed, contact us or your nearest distributor.

Symptom	Indication on front unit	Possible reasons of the symptom	Actions
Load current doesn't flow	Green LED (ON) light OFF	<ul style="list-style-type: none"> <li>No Auxiliary Voltage</li> <li>No input signal</li> <li>Reversed polarities of input signal</li> </ul>	<ul style="list-style-type: none"> <li>Give auxiliary voltage supply (See Connection Diagram)</li> <li>Provide to give input signal</li> <li>Reverse the input signal polarity</li> </ul>
	Green LED (ON) light ON	<ul style="list-style-type: none"> <li>Fuse failure</li> <li>Load connection interruption</li> <li>Load failure: The yellow led (HB) is light on (with HB option)</li> <li>Thyristor fault: The red led (SC) is light on (with HB option)</li> </ul>	<ul style="list-style-type: none"> <li>Change the fuse</li> <li>Check the wiring</li> <li>Check the load</li> <li>Change the thyristor module</li> </ul>
Thyristor unit doesn't work properly		<ul style="list-style-type: none"> <li>Auxiliary voltage supply out of limits</li> <li>Wrong input signal selection.</li> <li>Wrong input signal calibration (out of range)</li> </ul>	<ul style="list-style-type: none"> <li>Verify the auxiliary voltage supply</li> <li>Control input signal setting.</li> <li>Check input setting</li> </ul>

### 20.2 Warranty condition

CD Automation gives a 12 months warranty to its products.

The warranty is limited to repairing and parts substitution in our factory and does exclude products not properly used and fuses.

Warranty does not include products with serial numbers deleted. The faulty product should be shipped to CD Automation at customer's cost and our Service will evaluate if product is under warranty terms.

Substituted parts remain of CD Automation property.





